



AV Connectivity, Distribution And Beyond...

**VIDEO WALLS VIDEO PROCESSORS  
VIDEO MATRIX SWITCHES  
EXTENDERS SPLITTERS WIRELESS  
CABLES & ACCESSORIES**

## DVI-VIDEOWALL-4X

4-Display Dual-View Cascadable  
Videowall Processor



## VIDEO WALL PROCESSOR

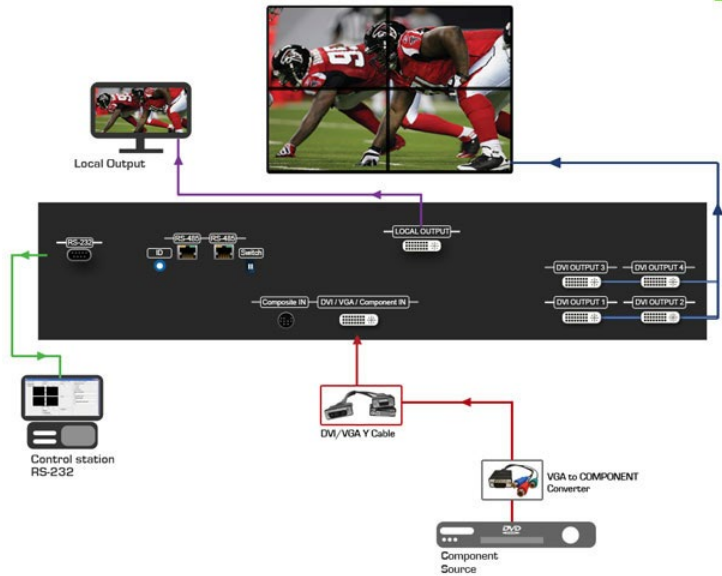
### KEY FEATURES

- Four DVI outputs from 640x480 to 1920x1200 interlaced or progressive
- Supports HDMI, DVI, S-Video, CVBS, Component, and VGA input.
- Each DVI output has an independent controllable display area
- Advanced video de-interlacer for improving 480i and 576i SD video input (Composite and S-video)
- PIP, PAB, Full screen modes and adjustable size & position through software
- Functions perfectly as video screen splitter, video converter and video switcher.
- Titles, borders and single color background
- Several image parameters and layouts can be saved in computer and can be loaded for later use
- Video parameters adjustable (brightness, contrast, color temperature, etc.)
- User-selectable output settings, up to 1920x1200
- Built-in factory reset switch
- Firmware upgradeable for support of new features and technology enhancements
- Can be cascaded to obtain more displays via RS485 ports (Upto 4x4=16)
- 2U size

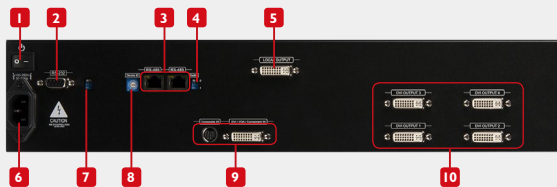
### DVI-VIDEOWALL-4X

#### CABLE INDEX

- Output ■
- Input / Source ■
- Local Output ■
- RS-232 ■



### PANEL DESCRIPTION



- |                                     |                                     |
|-------------------------------------|-------------------------------------|
| <b>1</b> Power Switch               | <b>2</b> RS-232                     |
| <b>3</b> RS-485                     | <b>4</b> Dip Switch                 |
| <b>5</b> DVI Local Output Connector | <b>6</b> AC Power: 100-240V         |
| <b>7</b> DVI Output Connectors 1-4  | <b>8</b> Device ID                  |
| <b>9</b> DVI Input Connector        | <b>10</b> DVI Output Connectors 1-4 |



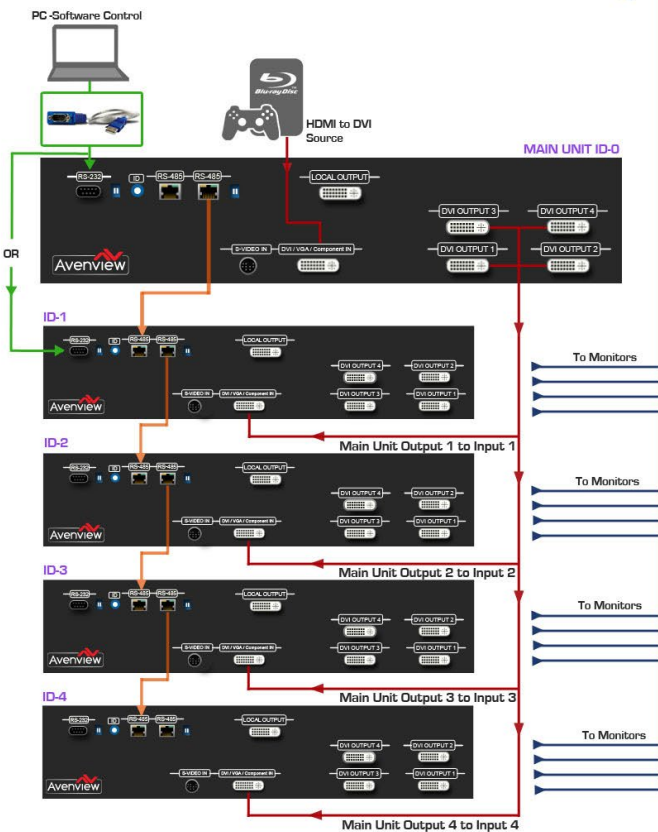
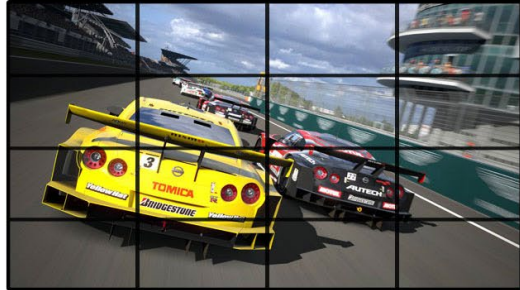
### ITEM

### SPECIFICATION

<b>Video Format Support</b>	HDMI, DVI, VGA, Component, S-Video, Composite
<b>Dual Output Support</b>	DVI & VGA
<b>Video Bandwidth</b>	DVI (Single Link 4.45Gbps), VGA (165MHz)
<b>Supported Resolutions</b>	Up to 1420x1200@60Hz
<b>System Control</b>	RS-232 / RS-485
<b>Cascadable</b>	Yes
<b>Input TMDs Signal</b>	1.2 Volts (peak-to-peak)
<b>Input DDC Signal</b>	5 Volts (peak-to-peak, TTL)
<b>Input Connectors</b>	DVI x 1, S-Video x 1, RS232 x 1, RS485 x 1
<b>Output Connectors</b>	DVI x 4
<b>HDMI Input Selection</b>	Push Button / IR Remote / RS232, Push Button / IR Remote
<b>Dimensions (L x W x H)</b>	17.75" x 17.25" x 3.5"
<b>Power Supply</b>	AC Power 100~240V
<b>Power Consumption</b>	60 Watt (max)

## DVI-VIDEOWALL-4X

LAYOUT 3



**CABLE INDEX**

- Output ■
- Input / Source ■
- RS-232 ■
- CAT-5 / CAT-6 ■
- UNIT ID ■

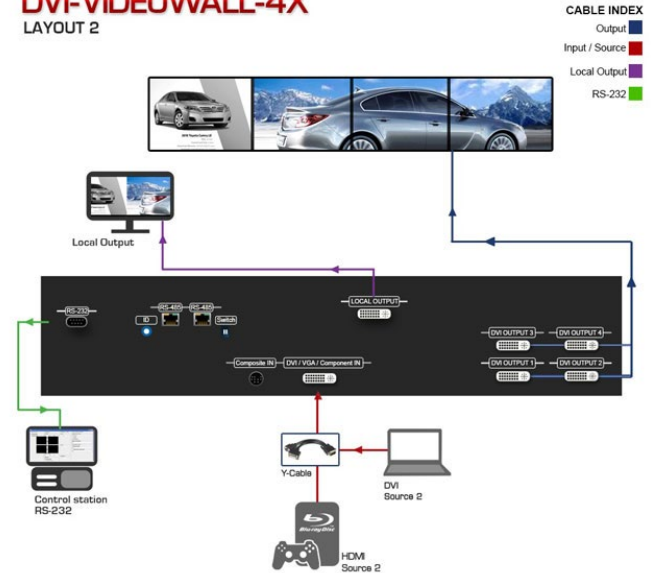
The DVI-VIDEOWALL-4X Display Dual-Image Video Wall Processor (Video Wall Controller) is a powerful and fully real time data/video processor for multiple flat panel displays or projectors. With the most flexibility on the input side, the unit accepts VGA, DVI, CVBS, S-Video, and YPbPr and splits the input onto the connected 4 displays.

The DVI-VIDEOWALL-4X can display up to 2 video inputs S-Video/Composite and DVI from the built-in video mixer. The output display is grained up to 255 by 255 squares. Virtually any setups for the display layout can be possible by the provided software.

The embedded mixer is an advanced video processor for multimedia presentations.

## DVI-VIDEOWALL-4X

LAYOUT 2



**CABLE INDEX**

- Output ■
- Input / Source ■
- Local Output ■
- RS-232 ■

The DVI-VIDEOWALL-4X allows you to manipulate input videos, wherever position and whatever sizes you want for viewing. The embedded scalar converts signals from input sources to match the native resolution of monitors, flat panel displays, projectors as well as user-selectable output settings up to WUXGA (1920x1200). The DVI-VIDEOWALL-4X sends the resulting mixed video thru DVI interface to the connected monitors/projectors based on the display layout. The layout can be readily modified to fit your applications and optimize visual effects. Typical applications include digital signage, and broadcasting/education/ surveillance systems etc.

**Toll Free 1-866-508-0269**  
**Local: +1.716.218.4100**  
**sales@avenview.com**

**USA Head Office**  
 Avenview Corp.  
 275 Woodward Avenue  
 Kenmore, NY 14217  
 Phone: +1.716.218.4100  
 Fax: +1.866.387-8764

**Canada Sales Office**  
 Avenview  
 151 Esna Park Drive, Unit 11 & 12  
 Markham, Ontario, L3R 3B1  
 Phone: 1.905.907.0525  
 Fax: 1.866.387.8764