

HBT-C6POEWP-S

HDBaseT HDMI Wall Plate Sender
IR/RS232/POE 100M

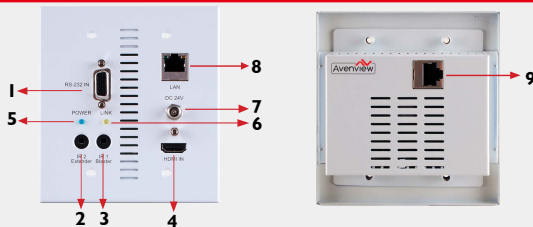


KEY FEATURES

- HDMI 1.4 with 3D, 4k x 2k support, HDCP & DVI Compliant;
- HDCP repeater and CEC bypass;
- Transmit uncompressed data signals over a single CAT6 or CAT5e cable Up to 100M/328ft;
- Supports Resolution up to 3840x2160 @ 24Hz and 4096x2160 @ 24Hz, 1080p @ 24Hz / 50/60Hz/3D;
- Uncompressed video 1080p, 60Hz, 36bits;
- 7.1CH & Dolby TrueHD, DTS-HD Audio support
- HDBaseT 5Play™ convergence: HDMI, POE & Control (IR & RS232).

ITEM	TECHNICAL SPECIFICATION
Weight	353 g
LED Light	Blue/Yellow LED
Operating Temperature	32° ~ 104°F (0° to 40°C)
Relative Humidity	20~90% RH (non-condensing)
Dimensions (L x W x H)	3.4" x 3.8" x 1.2"

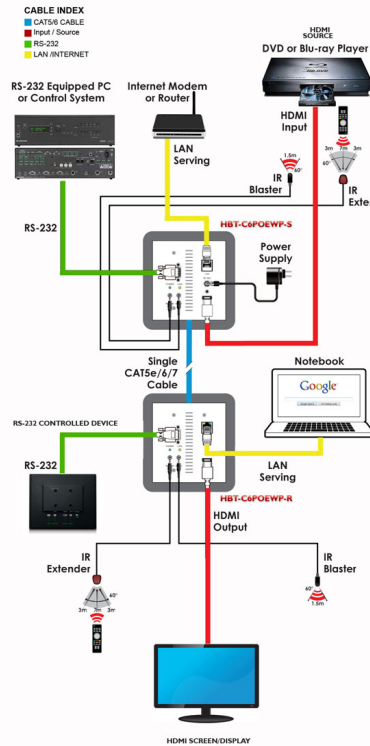
PANEL DESCRIPTION



- | | |
|--------------|---------------|
| 1 RS 232 | 2 IR 1 IN |
| 3 IR 2 OUT | 4 HDMI Output |
| 5 Power LED | 6 Link LED |
| 7 DC Power | 8 CAT 5/6 Out |
| 9 CAT 5/6 In | |



HBT-C6POEWP-SET



ITEM	SPECIFICATION
Model	HBT-C6POEWP-S
Unit Description	HDBaseT HDMI Wall Plate Sender
HDMI Compliance	YES HDBaseT
Video Bandwidth	Single-link 300MHz [9Gbps]
HDCP	Yes
Audio Support	LPCM 7.1CH, Dolby TrueHD, Dolby Digital Plus and DTS-HD Master Audio
Supported Resolution	480i / 480p / 720p / 1080i / 1080p60 / 4K@30 Up to Ultra HD (3840x2160@24/25/30Hz) 4K2K-(4096x2160@24Hz)
Output	1x CAT5/6, 1x 3.5mm IR
Input	1x 3.5mm IR Extender 1x 3.5mm RS232 1x HDMI
Power Supply	24V / 1.25A DC (US/EU standards, CE/FCC/UL certified)
Power Consumption	3 Watt (max)