



Control Your Video

**VIDEO WALLS VIDEO PROCESSORS
VIDEO MATRIX SWITCHES
EXTENDERS SPLITTERS WIRELESS
CABLES & ACCESSORIES**

PRODUCT MANUAL

Model: HBT2-C6POH-USB-SET



CAT5e/6 HDMI 2.0 Ethernet EXTENDER with Audio Support (IR/RS232/ARC/OPTICAL)

Copyright

© 2018 Avenview Inc. All rights reserved.

The contents of this document are provided in connection with Avenview Inc. ("Avenview") products. Avenview makes no representations or warranties with respect to the accuracy or completeness of the contents of this publication and reserves the right to make changes to specifications and product descriptions at any time without notice. No license, whether express, implied, or otherwise, to any intellectual property rights is granted by this publication. Except as set forth in Avenview Standard Terms and Conditions of Sale, Avenview assumes no liability whatsoever, and disclaims any express or implied warranty, relating to its products of Avenview Inc. is strictly prohibited.

Revision History		
Rev.	Changes	Date
0.00	Initial Release	02/01/2018



TABLE OF CONTENTS

1.	GETTING STARTED.....	1
1.1	IMPORTANT SAFEGUARDS.....	1
1.2	SAFETY GUIDELINES.....	2
1.3	REGULATORY NOTICES FEDERAL COMMUNICATIONS COMMISSION (FCC).....	2
2.	INTRODUCTION.....	3
2.1	PACKAGE CONTENTS.....	4
2.2	BEFORE INSTALLATION.....	4
2.3	APPLICATION DIAGRAM.....	5
2.4	PANEL DESCRIPTION.....	6
2.4.1	INPUT PANEL (TRANSMITTER, HBT2-C6POH-S) FRONT.....	6
2.4.2	INPUT PANEL (TRANSMITTER, HBT2-C6POH-S) SIDE.....	6
2.4.3	INPUT PANEL (RECEIVER, HBT2-C6POH-R) FRONT.....	7
2.4.4	INPUT PANEL (RECEIVER, HBT2-C6POH-R) SIDE.....	7
3.	IR EXTENDERS.....	8
4.	INSTALLATION (HBT2-C6POH-USB-SET).....	9
5.	GENERAL TROUBLESHOOTING.....	10
6.	CABLE SPECIFICATION.....	11
7.	SPECIFICATION.....	14
	WARRANTY CARD.....	16



SECTION I : GETTING STARTED

1.1 IMPORTANT SAFEGUARDS

Please read instructions carefully before you use the device. Save this manual for future reference. Avenview warranty certificate please refer to page #23

Warranty does not include:

- Any product on which the serial number has been defaced, modified or removed.
- Damage, deterioration or malfunction resulting from:
 - Accident, misuse, neglect, fire, water, lightning, or other acts of nature, unauthorized product modification, or failure to follow instructions supplied with the product.
 - Repair or attempted repair by anyone not authorized by us.
 - Any damage of the product due to shipment.
 - Removal or installation of the product.
 - Causes external to the product, such as electric power fluctuation or failure.
 - Use of supplies or parts not meeting our specifications.
 - Normal wear and tear.
 - Any other causes which does not relate to a product defect.
- Removal, installation, and set-up service charges.

1.2 SAFETY GUIDELINES

The HBT2-C6POH-USB-SET HDMI CAT5e/6 HDMI 2.0 Ethernet extender has been tested for conformance to safety regulations and requirements, and has been certified for international use. However, like all electronic equipments, the HBT2-C6POH-USB-SET should be used with care. Read the following safety instructions to protect yourself from possible injury and to minimize the risk of damage to the unit.


- ⚠ Do not dismantle the housing or modify the module.
- ⚠ Dismantling the housing or modifying the module may result in electrical shock or burn.
- ⚠ Refer all servicing to qualified service personnel.
- ⚠ Do not attempt to service this product yourself as opening or removing housing may expose you to dangerous voltage or other hazards.
- ⚠ Keep the device away from liquids.
- ⚠ Spillage onto the housing may result in fire, electrical shock, or equipment damage. If an object or liquid falls or spills on to the housing, unplug the module immediately.
- ⚠ If the unit appears damaged, have the module checked by a qualified service engineer before using it again.
- ⚠ Do not use liquid or aerosol cleaners to clean this unit. Always unplug the power to the device before cleaning.



1.3 REGULATORY NOTICES FEDERAL COMMUNICATIONS COMMISSION (FCC)

Note: This equipment has been tested and found to comply with the limits for a Class A digital device, pursuant to part 15 of the FCC Rules. These limits are designed to provide reasonable protection against harmful interference when the equipment is operated in a commercial environment. This equipment generates, uses, and can radiate radio frequency energy and, if not installed and used in accordance with the instruction manual, may cause harmful interference to radio communications. Operation of this equipment in a residential area is likely to cause harmful interference in which case the user will be required to correct the interference at his own expense.

Properly shielded and grounded cables and connectors must be used in order to meet FCC emission limits. Avenview is not responsible for any radio or television interference caused by using other than recommended cables and connectors or by unauthorized changes or modifications to this equipment.

Warning Symbols	Description
	<p>ONLY USE THE PROVIDED POWER CABLE OR POWER ADAPTER SUPPLIED. DO NOT TAMPER WITH THE ELECTRICAL PARTS. THIS MAY RESULT IN ELECTRICAL SHOCK OR BURN.</p>
	<p>THIS WARNING SYMBOL MEANS DANGER. WHEN THIS SYMBOL IS PLACED, YOU ARE IN AN ENVIROMENT THAT CAN CAUSE BODILY INJURY.</p>
	<p>DO NOT TAMPER WITH THE UNIT. DOING SO WILL VOID THE WARRANTY AND CONTINUED USE OF THE PRODUCT.</p>
	<p>THE CIRCUIT BOARDS ARE VERY SENSITIVE TO STATIC DISCHARGE. PLEASE ENSURE IF RACK MOUNTED OR INSTALLED ON A SURFACE, IT SHOULD BE IN A GROUNDED ENVIRONMENT.</p>
	<p>WARNING</p> <p>Read & understand user guide before using this device.</p> <p>Failure to follow the proper installation instructions could result in damage to the product and preventing expected results.</p>



2. INTRODUCTION

Avenview's HBT2-C6POH-USB-SET HDMI CAT.5e/6 HDMI 2.0 Ethernet extender is designed to extend 4K@60Hz 18GBPS Content over 100 Meters ethernet cable. This unit includes two (2) units: Sender unit (TX) HBT2-C6POH-USB-S and Receiver unit (RX) HBT2-C6POH-USB-R.

The HBT2-C6POH-USB-SET supports 4K 18 Gbps Content from source to Display. Video resolution supported is 4K@60 Hz (4096x2160), 4k2k@60 (UHD 3840x2160) , 3D and full HD 1080p@60 Hz. The slim box type design can be easily installed in any environment, behind the monitor and rack mounted on a rack shelf; this compact design gives the installer and user a complete solution with the new trends in rack-mounted 4K sources streaming, network connected devices and new demand for Smart TV, ultra HD monitors,, and content.

The HBT2-C6POH-USB-SET finds its way into market sectors such as Medical, Education, command & control environments and any long distance extension application.

Features

- Supports HDBaseT 2.0 specification over a single CAT6/7 cable up to 100m/328ft and CAT5e cable up to 90m/295ft
- HDMI (with 3D & 4K@60Hz - YUV 4:2:0 support, HDCP 2.2 and DVI 1.0 compatible)
- HDBaseT 5Play™ convergence: High-Definition (HD) Video and Audio, 100BaseT Ethernet, PoE and Control (Bidirectional IR/RS-232 pass-through)
- Supports pass-through of HD audio formats: LPCM 2/5.1/7.1CH, Dolby Digital 2/5.1CH, Dolby Digital Plus, Dolby TrueHD, Dolby Atmos and DTSHD Master Audio
- 1×USB 2.0 Mini-B port (on the transmitter), 2×USB 2.0 Type A ports (on the receiver)
- Supports optical sampling rate up to 48kHz
- Supports external analog and digital audio extension including support for ARC (Audio Return Channel)
- Supports RS-232 baud rate from 110~115200bps
- Ultra thin design



2.1 PACKAGE CONTENTS

Before you start the installation of the HBT2-C6BPOC-SET, please ensure that the packaging has the listed items below.

#	ITEM	QTY	
1	HBT2-C6POH-USB-SET	x1	
2	POWER BRICK (48V/0.83A) + C7 POWER CORD	x1	
3	IR EXTENDER IR BLASTER PHOENIX CONTACT MOUNTING BRACKETS	x1 x1 x2 x2	
4	PRODUCT USER MANUAL	x1	

2.2 BEFORE INSTALLATION

ATTENTION

- To prevent airflow restriction, allow clearance around the ventilation openings to be at least: ONE Inch (25.4 mm).
- Unauthorized changes or modifications could void the user's authority to operate the equipment.
- Before you work on any equipment, be aware of the hazards involved with electrical circuitry and be familiar with standard practices for preventing accidents.
- Place the product on an even and stable surface. If the product falls, it may cause an injury to a person or malfunction.
- Do not place the product in high temperatures (over 50°C), or low temperature (under 0°C) or high humidity.
- Use the DC power adapter with correct specifications. If inappropriate power supply is used then it may cause a fire.
- Do not twist or pull by force ends of the UTP /HDMI cable. It can cause malfunction.
- Keep the device away from water. If the unit becomes wet, power off immediately.
- Installation of the equipment must comply with local and national electrical codes.
- Take care when connecting units to the electrical power circuit, incase the maximum rated circuit is not overloaded



2.3 APPLICATION DIAGRAM

CAT5e = 90m (295 feet)
 CAT6/7 = 100m (328 feet)

POINT TO POINT

CABLE INDEX

- INPUT/OUTPUT
- CAT-5e / CAT-6
- IR CONTROL

HDMI Smart TV

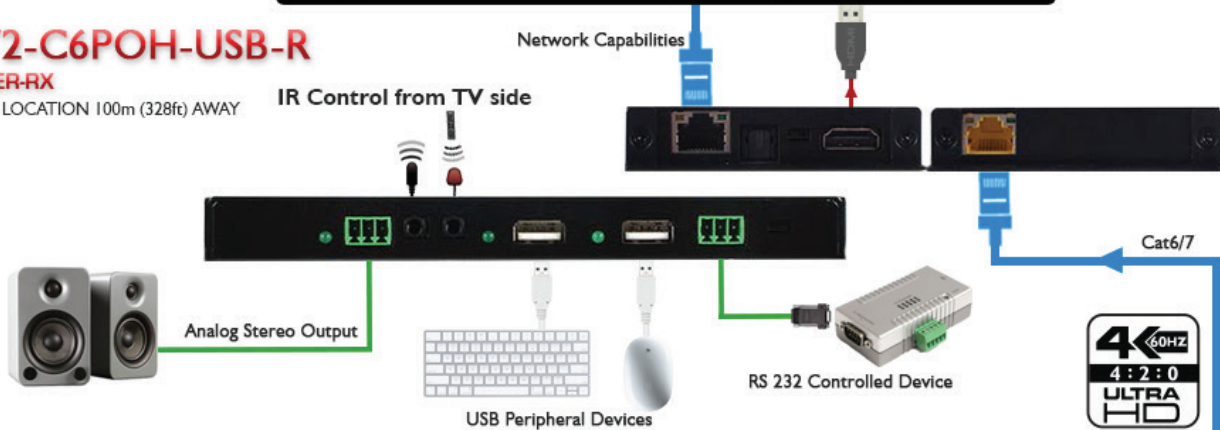


HBT2-C6POH-USB-R

RECEIVER-RX

RECEIVER LOCATION 100m (328ft) AWAY

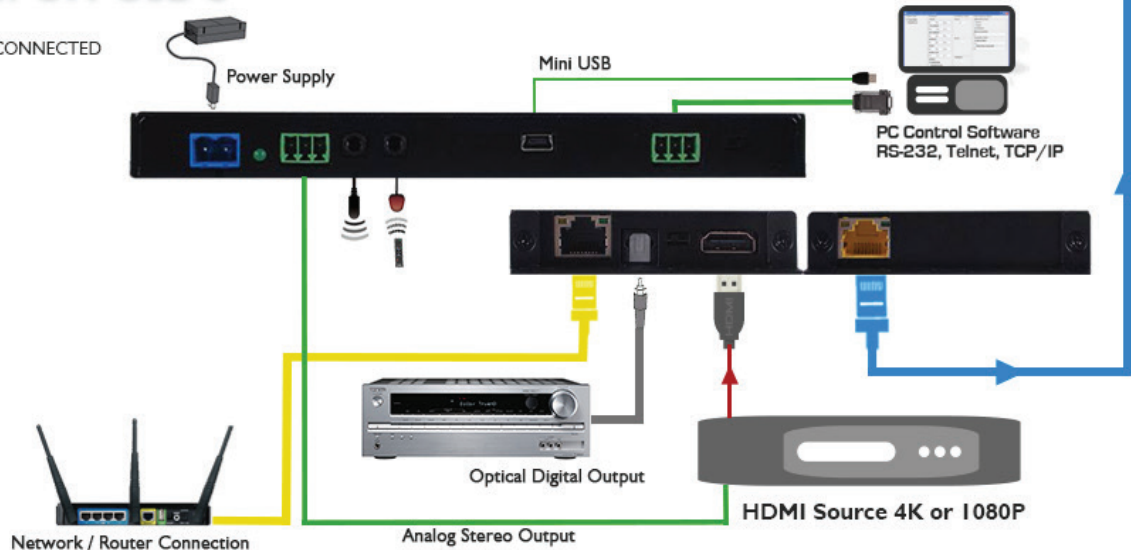
IR Control from TV side



HBT2-C6POH-USB-S

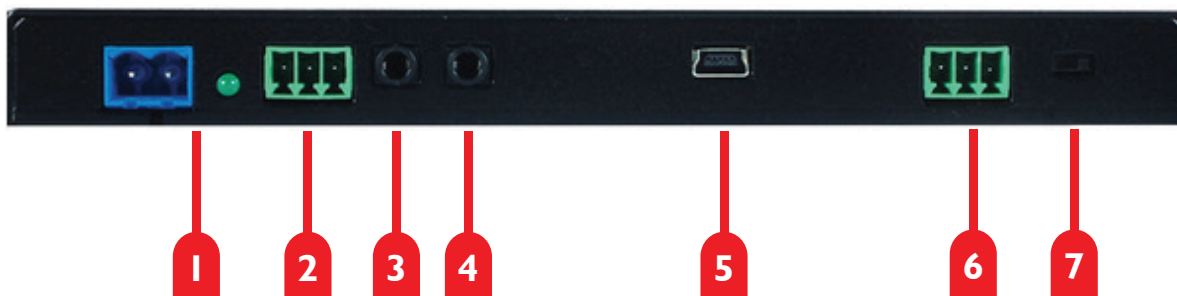
SENDER-TX

SENDER LOCATION CONNECTED AT SOURCE



2.4 PANEL DESCRIPTION

2.4.1 Input Panel (Transmitter, HBT2-C6POH-S) Front



<p>1 DC 48V/POWER LED: Plug the 48V DC power supply into the unit and connect the adaptor to an AC outlet. Green LED will illuminate.</p>	<p>2 AUDIO IN L/R: Connect to audio source such as PC or CD player for audio signal sending to Receiver's AUDIO OUT L/R.</p>
<p>3 IR IN 2: Connect to the supplied IR Extender cable for IR signal reception.</p>	<p>4 IR OUT 1: Connect to the supplied IR Blaster cable for IR signal transmission.</p>
<p>5 USB: Connect to a PC or Laptop to extend USB data connection to the Receiver's USB ports.</p>	<p>6 RS-232 IN: Connect to a PC or serial control device with USB to RS 232 cable for transmission of RS-232 commands. For receiving command from Receiver side, the TX and RX pin must be reversed.</p>
<p>7 SWITCH: This is reserved for firmware update use only. Switch to the left for firmware update use, under normal operation, leave the switch on right.</p>	

2.4.2 Input Panel (Transmitter, HBT2-C6POH-S) Side

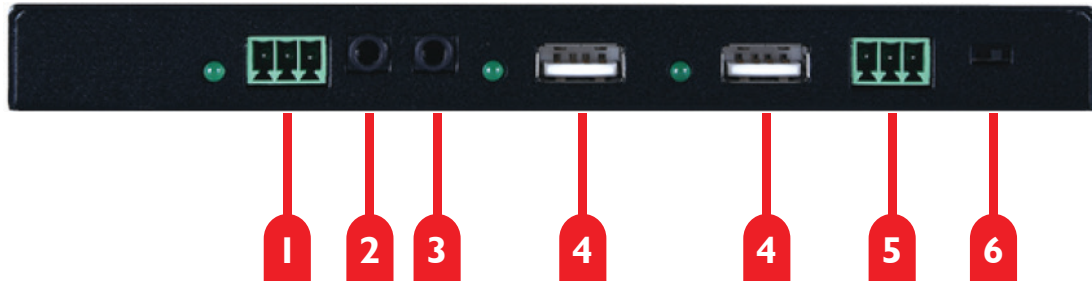


<p>1 CAT5e/6/7 OUT: Connect to the Receiver unit with a single CAT.5e/6/7 cable for transmission of all data signals.</p>	<p>2 LAN: Connect to an Ethernet supporting device or to your local network.</p>
<p>3 OPTICAL OUT: Connect to an audio receiver or powered speaker set to reproduce audio signal from the Receiver's OPTICAL IN port.</p>	<p>4 ARC OUT ON/OFF: Enables or disables support for Audio Return Channel (ARC) signals from the HDMI device connected to the Receiver.</p>
<p>5 HDMI IN: Connect to HDMI source device such as set-top box or media player.</p>	



2.4 PANEL DESCRIPTION (Cont)

2.4.3 Input Panel (Receiver, HBT2-C6POH-R) Front



<p>1 AUDIO OUT L/R: Connect to speaker with RCA input for audio signal output.</p>	<p>2 IR IN I: Connect to the supplied IR Extender cable for IR signal reception.</p>
<p>3 IR OUT 2: Connect to the supplied IR Blaster cable for IR signal transmission.</p>	<p>4 USB IN: Connect to USB peripheral devices such as keyboard and mouse.</p>
<p>5 RS-232 OUT TX/RX: Connect to a device for RS232 control to receive commands from the Transmitter.</p>	<p>6 SWITCH: This is reserved for firmware update use only. Under normal operation, leave the switch to the right.</p>

2.4.4 Input Panel (Receiver, HBT2-C6POH-R) Side



<p>1 CAT5e/6/7 IN: Connect to the Transmitter unit with a single CAT.5e/6/7 cable for transmission of all data signals.</p>	<p>2 LAN: Connect to an Ethernet supporting device or to your local network.</p>
<p>3 OPTICAL IN: Connect to an audio source equipment such as media player or set-top box to transmit audio signal to the Transmitter OPTICAL OUT port.</p>	<p>4 ARC IN/OPTICAL IN SWITCH: Allows you to switch between sending audio to Transmitter from ARC channel or Receivers OPTICAL IN port.</p>
<p>5 HDMI IN: Connect to HDMI source device such as a DVD or Blu-ray player.</p>	



3. IR EXTENDERS

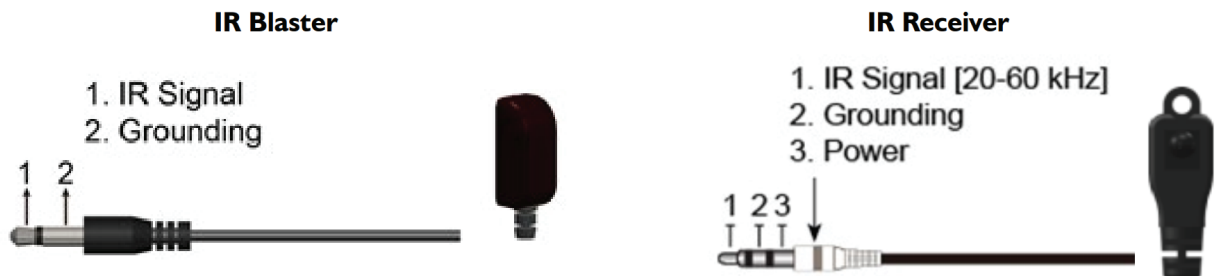


IR Sockets

IR BLASTER: plug in the IR blaster to emit all IR command signals received from the IR receiver from the other end to control the devices corresponding to the IR signals.

IR RECEIVER: plug in the IR receiver to receive all IR command signals from the IR remote controls of the corresponding devices.

Definition of IR 3.5mm Jack



WARNING

NOTE: Incorrect placement of IR Blaster and IR Receiver into the extender may result in the failure of the IR extenders.

Please check carefully before plugging in the IR extender to the respective IR sockets.

WARRANTY DOES NOT COVER ANY DAMAGE CAUSED BY MISUSE



4. INSTALLATION (HBT2-C6POH-USB-SET)

This product is composed of a Transmitter and a Receiver.

The Transmitter should be connected to the source (Computer's HDMI Port/IR Signal/USB/RS-232) and the Receiver should be connected to the HDMI of the digital display device (Monitor). Avenview HBT2-C6POH-USB-SET Transmitter / Receiver is designed to be used with a standard Cat5e/6/7

To setup Avenview HBT2-C6POH-USB-SET please follow these steps for connecting to a device:

1. Turn off all devices including monitors / TV.
2. Connect HDMI source (such as a Blu-Ray player) to the Transmitter HBT2-C6POH-USB-S.
3. Connect transmitter to HBT2-C6POH-USB-R with a CAT5E/CAT6 cable with shielded ends, then connect to display with HDMI cable.
4. Plug in the supplied 5V 2A DC power adapter at the Trasmmitter unit HBT2-C6POH-USB-S.
5. Power on the HDMI display.
6. Power on HDMI Sources.

Power supply cord should be connected as follows:

- (-) Black Cord
- (+) White Cord



5. GENERAL TROUBLESHOOTING

PROBLEM	POSSIBLE SOLUTION
<p>NO IMAGE</p>	<ul style="list-style-type: none"> • Check if connection to the source and the display are correct. • Ensure that display device supports 480p, 720p and 1080p 4k@60 resolution • Terminated to 568B standard with Shielded Ends Recommended • High Quality CAT5/6 Cable helps signal transmission • Please use the supplied power supply
<p>SCREEN DEFECTS APPEAR</p>	<ul style="list-style-type: none"> • This product supports up to 1080p and 4k@60 resolution. • Check the HDMI connection • If outputting from a PC. Check the maximum resolution range of the graphics card. • Check all connections are seated properly
<p>NO INFRARED COMMUNICATION</p>	<ul style="list-style-type: none"> • Ensure the UTP cable is run within the wall away from EMI and High Voltage power Lines. • please check manual of device to ensure proper placement of IR Blaster on IR eye. • Some LED /Plasma TV have EMI interference with the IR receiver, please place the IR Rx 3-6” away from Screen
<p>END-TO-END TESTING</p>	<p>HDBaseT system, a final end-to-end test of all the A/V components should take place. These tests include checking the HDMI stream at the far end (sink end), the clock rate, frame compare, video pattern, audio, EDID and HDCP with Quantum 780 (recommended).</p>
<p>PASSIVE MONITORING</p>	<p>Passive monitoring enables an integrator to view the HDCP transactions, EDID exchange, as well as the connection events between the actual devices in the network.</p>



6. CABLE SPECIFICATIONS











We highly recommend achieving best results with our HBT2-C6POH-USB-SET you acquire a high quality 26 or 24 AWG HDMI cable with the below specifications to maintain signal integrity and distances.

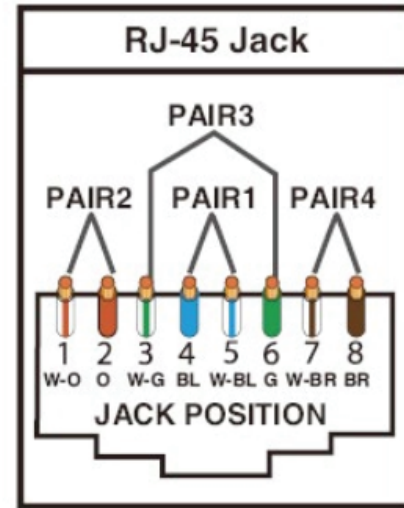
Features

- Supports the HDBaseT 2.0 specification over a single Cat.6/7 cable up to 100m/328ft and Cat.5e cable up to 90m/295ft
- HDBaseT 5Play™ convergence: High-Definition (HD) Video and Audio, 100BaseT Ethernet, 48V PoH, and Control (Bi-directional IR/ RS-232 pass-through)
- Receiver (PD) is powered by 48V PoH from the transmitter (PSE)
- HDMI with 3D & 4K@60Hz (YUV 4:2:0) support, DVI 1.0 compatible
- HDCP 2.2 compliant
- 1 × USB 2.0 Mini-B port (on the transmitter), 2 × USB 2.0 Type A ports (on the receiver)
- Supports pass-through of HD audio formats: LPCM 2.0/5.1/7.1, Bitstream, and HD Bitstream
- Supports optical audio sampling rates up to 48kHz
- Supports external analog and digital audio extension including support for ARC (Audio Return Channel)
- Supports RS-232 baud rates from 110~115200bps
- Ultra-thin mechanical design



6. CABLE SPECIFICATIONS (CONT)

Data Link TIA/EIA-568-B		
PIN	Color	Function
1	 W-O	TX0-
2	 O	TX0+
3	 W-G	TX1-
4	 BL	TX2-
5	 W-BL	TX2+
6	 G	TX1+
7	 W-BR	TXC-
8	 BR	TXC+



PERFORMANCE GUIDE FOR HDMI OVER CATEGORY CABLE TRANSMISSION

PERFORMANCE RATING		TYPE OF CATEGORY CABLE		
WIRING	SHIELDING	CAT5	CAT5E	CAT6
SOLID	UNSHIELDED (UTP)	★★★	★★★★	★★★★
	SHIELDED (STP)	★★★	★★★★	★★★★★
STRANDED	UNSHIELDED (UTP)	★	★★	★★
	SHIELDED (STP)	★	★	★★
TERMINATION		PLEASE USE EIA/TIA-568-B TERMINATION (T568B) AT ANY TIME		



6 CABLE SPECIFICATIONS (CONT)

To achieve the best results with your HBT2-C6POH-USB-SET, Avenview highly recommends using Premium High Speed HDMI Cables or Premium High Speed HDMI Cables with Ethernet. Cables certified as Premium High Speed are individually tested for performance and will carry a special anti-counterfeit label to differentiate them from other HDMI cables.

Premium High Speed Certified HDMI Cables with full 18Gbps 4K (End to End) HDMI Cables support full UHD with Deep Color and High Dynamic Range support . These next generation 4K HDMI cables are also the ONLY HDMI cables specifically designed for systems integrators, corporate, government, medical and other demanding business environments.

Performance features: full UltraHD 4K@60Hz 4:4:4 chroma sampling and 18Gbps bandwidth rating (End to End), integration with exclusive commercial features: advanced active chip technology to deliver a full 4K 18Gb signal with 4:4:4 Color Space signal.

Specifications

Connector Type 1: HDMI A Male
Connector Type 2: HDMI A Male
Bandwidth: 18Gbps (End to End), HDR Support
Resolution: 4K@60Hz 4:4:4
Gauge: Up to 15ft: 26AWG. 20ft and up: 24AWG,
Please note: Lengths 25ft, 35ft, 50ft are active and directional
Center Conductor: 99.9% High Purity Copper
Connector Finish: 24K Gold Plated
Shielding: Inner 100% Aluminum Mylar Wrap,
Outer 100% Aluminum Mylar Wrap, 85% Tinned Copper Braid
Cable Outer Diameter: 0.33" (8.5 mm)
Jacket Type: PVC
Supports High Dynamic Range (HDR)
Supports Deep Color and x.v. Color

HDMI ATC Certified: Yes
HDCP and CEC Compliant: Yes
Category 2 Certified: Yes
Ethernet Capability: Yes
Supports Audio Return Channel: Yes
3D Ready: Yes
Longer Distance Capability: Yes
UL Rated: Yes
UL Rating: CL3
RoHS Compliant: Yes
Temperature Rating: 75 deg C
Voltage: 30V



7. SPECIFICATION

ITEM	DESCRIPTION
NO IMAGE	HBT2-C6POH-USB-SET
MODEL DESCRIPTION	4K@60 HDMI/Audio over CAT5e/6/7 Extender with 48V PoE
HDMI COMPLIANCE	2.0
HDCP	2.2
VIDEO BANDWIDTH	340 MHz/10.2 Gbps2.22.0
SUPPORTED RESOLUTIONS	Cat5e/6/7: 100 m - Up to 1080p@60 Hz Cat5e: 90 m - 4K2K@30/60Hz Cat6/7: 100 m - 4K2K@30/60 Hz
AUDIO SUPPORT	LPCM 2CH,6CH,8CH/AC3/DTS/Dolby Digital Plus/ TruHD & DTS-HD
INPUT PORTS (TX)	1×HDMI, 1×USB, 1×L/R (Terminal Block), 1×LAN,1×IR Extender, 1×RS-232 (Terminal Block)
OUTPUT PORTS (TX)	1×CAT5e/6/7, 1×Optical, 1×IR Blaster
INPUT PORTS (RX)	1×CAT5e/6/7, 1×Optical, 1×IR Extender
OUTPUT PORTS (RX)	1×HDMI, 1×L/R (Terminal Block), 1×LAN, 1×IR Blaster,1×RS-232 (Terminal Block)
BAUD RATE	Up to 115200 bps
HDMI CONNECTOR	Type A (19 pin female)
RJ45 CONNECTOR	WE/SS 8P8C with 2 LED indicators
AUDIO RETURN	Audio Return Channel
DIMENSIONS (LxWxH)	3.1 " W x 7" D x 0.6" H
WEIGHT	0.7lbs
POWER SUPPLY	48V/0.83A DC (US/EU standards, CE/FCC/UL certified)
POWER CONSUMPTION	17 Watt (max)

POWER CONSUMPTION

POWER CONSUMPTION	32° ~ 104°F (0° to 40°C)
STORAGE TEMPERATURE	-4° ~ 140°F (-20° ~ 60°C)
RELATIVE HUMIDITY	20~90% RH (no condensation)



1. All HDMI over CAT5 transmission distances are measured using Belden CAT6A (625MHz), 4-Pair, U/UTP-Unshielded, Riser-CMR, Premise Horizontal Cable, 23 AWG Solid Bare Copper Conductors, Polyolefin Insulation, Patented Double-H spline, Ripcord, PVC Jacket using Quantum 980 signal HDMI Video Generator Module Video Pattern Testing.
2. The transmission length is largely affected by the type of category cables, also the type of HDMI sources, and the type of HDMI display. The testing result shows solid UTP cables (usually in the form of 300m or 1000ft bulk cable) can transmit a lot longer signals than stranded UTP cables (usually in the form of patch cords). Shielded STP connectors are better suit than unshielded UTP connectors. A solid UTP CAT5e cable shows longer transmission length than stranded STP CAT6 cable. For long extension users, solid cables are your only choice.
3. EIA/TIA-568-B termination (T568B) for category cables is recommended for better performance.
4. To reduce the interference among the unshielded twisted pairs of wires in category cable, you can use shielded STP cables with shielded connector to improve EMI problems, which occurs in long transmission.
5. Because the quality of the category cables has the major effects in how long transmission distance will be made and how good is the received display, the actual transmission length is subject to your category cables. For resolution greater than 1080i or 1280x1024, a solid CAT6 cable is the only viable choice.



Avenview Warranty Certificate

AVENVIEW CORP ("Avenview") warrants Avenview-branded product(s) contained in the original packaging against defects in materials and workmanship when used normally in accordance with Avenview's enclosed manual guidelines for a period of THREE (3) YEARS from the date of original retail purchase - Warranty Period. Avenview's published guidelines include but are not limited to information contained in technical specifications, user manuals and service communications.

LABOR: During the Warranty Period of THREE (3) YEARS, Avenview will repair or replace the product(s) at no cost using new or used parts equivalent to novel performance and reliability if the product(s) is determined to have abide by Avenview's published guidelines. Cost of Labor applicable to product(s) after Warranty Period. For labor costs, please contact support@avenview.com.

PARTS: During the Warranty Period of THREE (3) YEARS, Avenview will supply new or rebuilt replacements in exchange for defective parts of the product(s) at no cost if the product(s) is determined to have abide by Avenview's published guidelines. Cost of Parts applicable to product(s) after Warranty Period. For part(s) costs, please contact support@avenview.com.

To obtain Warranty: (a) proof of purchase in the form of a bill of sale or receipted invoice reflecting that the registered product(s) is within warranty period must be presented to obtain warranty service; (b) product(s) must be registered at time of purchase. Failure to do so will result in applicable parts and labor charges. Returning product(s) must be shipped in Avenview's original packaging or in packaging pertaining equal degree of protection to Avenview's products. Both Avenview and purchaser are responsible for freight charges and brokerage fees when shipping the product(s) to the receiver.

NOT COVERED BY THIS WARRANTY

This warranty does not apply to any non-Avenview branded product(s); non-registered Avenview product(s). This warranty does not apply: (a) to cosmetic damage, including but not limited to scratches, dents and broken cords; (b) to damage caused by use with another product; (c) to damage caused by accident, abuse, misuse, liquid contact, fire, earthquake or other external cause; (d) to damage caused by operating the Avenview product(s) outside Avenview's manuals or guidelines; (e) to damage caused by service performed by anyone who is not a representative of Avenview or an Avenview authorized personnel; (f) to defects caused by normal wear and tear or otherwise due to the normal aging of the Avenview product(s); or (g) if any serial number or void stickers has been removed or defaced from the Avenview product(s).

AVENVIEW IS NOT LIABLE FOR DIRECT, SPECIAL, INCIDENTAL OR CONSEQUENTIAL DAMAGES RESULTING FROM ANY BREACH OF WARRANTY OR CONDITION, OR UNDER ANY OTHER LEGAL THEORY, INCLUDING BUT NOT LIMITED TO LOSS OF USE; LOSS OF REVENUE; LOSS OF ACTUAL OR ANTICIPATED PROFITS (INCLUDING LOSS OF PROFITS ON CONTRACTS); LOSS OF THE USE OF MONEY; LOSS OF ANTICIPATED SAVINGS; LOSS OF BUSINESS; LOSS OF OPPORTUNITY; LOSS OF GOODWILL; LOSS OF REPUTATION; LOSS OF, DAMAGE TO, COMPROMISE OR CORRUPTION OF DATA; OR ANY INDIRECT OR CONSEQUENTIAL LOSS OR DAMAGE REPAIR OR REPLACEMENT AS PROVIDED UNDER THIS WARRANTY IS THE EXCLUSIVE REMEDY OF THE CONSUMER.

Some states do not allow the inclusion or limitation of incidental or consequential damages, or allow limitations on duration implements of the Warranty Period; therefore the above limitations or exclusions may not be applicable to you. This warranty gives you specific legal rights, and you may have other rights which vary from state to state.



1100 Military Road, Kenmore, NY 14217
1.866.508.0269





Control Your Video

TECHNICAL SUPPORT

CONTACT US



Phone: 1 (866) 508 0269



Email: support@avenview.com



Head Office Avenview Inc. 11-151 Esna Park Dr, Markham ON, L3R 3B1

Disclaimer

While every precaution has been taken in the preparation of this document, Avenview Inc. assumes no liability with respect to the operation or use of Avenview hardware, software or other products and documentation described herein, for any act or omission of Avenview concerning such products or this documentation, for any interruption of service, loss or interruption of business, loss of anticipatory profits, or for punitive, incidental or consequential damages in connection with the furnishing, performance, or use of the Avenview hardware, software, or other products and documentation provided herein.

Avenview Inc. reserves the right to make changes without further notice to a product or system described herein to improve reliability, function or design. With respect to Avenview products which this document relates, Avenview disclaims all express or implied warranties regarding such products, including but not limited to, the implied warranties of merchantability, fitness for a particular purpose, and non-infringement.