



AV Connectivity, Distribution And Beyond...

VIDEO WALLS VIDEO PROCESSORS
VIDEO MATRIX SWITCHES
EXTENDERS SPLITTERS WIRELESS
CABLES & ACCESSORIES

Control Commands OSD Structure Web GUI Guide



Model #: HDM-SPLITPRO-4A-V2

© 2013 Avenview Inc. All rights reserved.

The contents of this document are provided in connection with Avenview Inc. ("Avenview") products. Avenview makes no representations or warranties with respect to the accuracy or completeness of the contents of this publication and reserves the right to make changes to specifications and product descriptions at any time without notice. No license, whether express, implied, or otherwise, to any intellectual property rights is granted by this publication. Except as set forth in Avenview Standard Terms and Conditions of Sale, Avenview assumes no liability whatsoever, and claims any express or implied warranty, relating to its products are strictly prohibited.

SECTION I: COMMAND PROTOCOL FORMAT (RS-232 SERIAL PORT)

I. SERIAL PORT SETTING

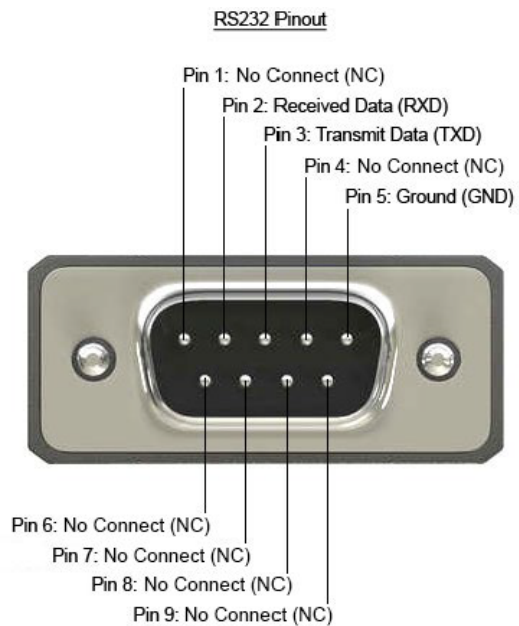
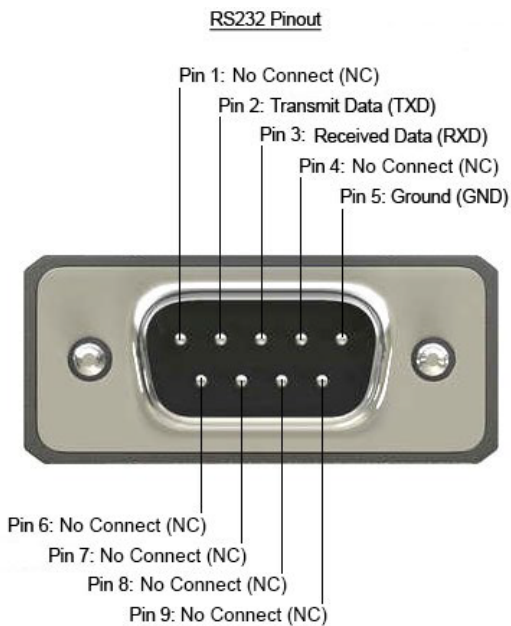
- Baud Rate: 115200bps
- Data Bit: 8 bits
- Parity: None
- Flow Control: None
- Stop Bit: 1

RS-232 Wiring (Cross Cable Connection)

HDM-SPLITPRO-4A	
PIN	Assignment
1	NC
2	TxD
3	RxD
4	NC
5	GND
6	NC
7	NC
8	NC
9	NC

\ominus
 \oplus

Remote Controller(PC)	
PIN	De finition
1	NC
2	RxD
3	TxD
4	NC
5	GND
6	NC
7	NC
8	NC
9	NC



2. RS-232 & TELNET COMMANDS

All commands will be not executed unless followed with a carriage return (0x0d) and commands are case sensitive. Commands will not execute under window A~D.

COMMAND	DESCRIPTION
HELP/?	Displays all available commands.
SPOW M	Turn the unit's power on or off (stand-by).
RPOW	Display the current power state.
SRES M	Set the output resolution. Available values for M: 0 [480p@60Hz] 1 [576p@50Hz] 2 [720p@50Hz] 3 [720p@60Hz] 4 [1080p@24Hz] 5 [1080p@25Hz] 6 [1080p@30Hz] 7 [1080p@50Hz] 8 [1080p@60Hz] 9 [1024×768@60Hz] 10 [1280×800@60Hz] 11 [1280×1024@60Hz] 12 [1366×768@60Hz] 13 [1440×900@60Hz] 14 [1600×900@60Hz] 15 [1600×1200@60Hz] 16 [1680×1050@60Hz] 17 [1920×1200@60Hz] 18 [Native] (Default = Native)
RRES	Display the current output resolution.
SIOSDD M	Enable/Disable on-screen information display. M = 0 [off], 1 [on] (Default = 0)
RIOSDD	Display the current state of the on-screen information display.



COMMAND	DESCRIPTION
SOSDH M	Set the OSD's horizontal position. M = 0~20 (Default = 5)
ROSDH	Display the OSD's current horizontal position.
SOSDV M	Set the OSD's vertical position. M = 0~20 (Default = 5)
ROSDV	Display the OSD's current vertical position.
SOSDT M	Set the OSD's visibility duration. M = 0 [OSD off], 5~50 [5~50 seconds] (Default = 10)
ROSDT	Display the current OSD visibility duration.
SOSDG M	Set the transparency level of the OSD. M = 0~10 (Default = 5)
ROSDG	Display the current OSD transparency value.
SBRI N M	Set the brightness value for a channel. N = 0 [all channels], 1~4 [single channel] M = 0~100 (Default = 50)
RBRI N	Display the current brightness value for the specified channel. N = 0 [all channels], 1~4 [single channel]
SCON N M	Set the contrast value for a channel. N = 0 [all channels], 1~4 [single channel] M = 0~100 (Default = 50)
RCON N	Display the current contrast value for the specified channel.



COMMAND	DESCRIPTION
SSAT N M	<p>Set the saturation value for a channel.</p> <p>N = 0 [all channels], 1~4 [single channel]</p> <p>M = 0~100 (Default = 50)</p>
RSAT N	<p>Display the current saturation value for the specified channel.</p> <p>N = 0 [all channels], 1~4 [single channel]</p>
SHUE N M	<p>Set the hue value for a channel.</p> <p>N = 0 [all channels], 1~4 [single channel]</p> <p>M = 0~100 (Default = 50)</p>
RHUE N	<p>Display the current hue value for the specified channel.</p> <p>N = 0 [all channels], 1~4 [single channel]</p>
SSTILL N M	<p>Set the image freeze state for a channel. N = 0 [all channels], 1~4 [single channel]</p> <p>M = 0 [off], 1 [on] (Default = 0)</p>
RSTILL N	<p>Display the current image freeze state for a channel.</p> <p>N = 0 [all channels], 1~4 [single channel]</p>
SSWAP M	<p>Activate the image swap feature between the specified channels.</p> <p>Available values for M:</p> <p>0 [Swap CH1 & CH2] 1 [Swap CH1 & CH3] 2 [Swap CH1 & CH4] 3 [Swap CH2 & CH3] 4 [Swap CH2 & CH4] 5 [Swap CH3 & CH4]</p>



COMMAND	DESCRIPTION
RSWAP M	<p>Display current image swap settings for the specified channel pairs.</p> <p>Available values for M: 0 [CH1 & CH2 current sources] 1 [CH1 & CH3 current sources] 2 [CH1 & CH4 current sources] 3 [CH2 & CH3 current sources] 4 [CH2 & CH4 current sources] 5 [CH3 & CH4 current sources]</p>
SPIRE	<p>Reset the brightness, contrast, saturation and hue values for all channels to their defaults.</p>
SIMRE M	<p>Reset the brightness, contrast, saturation or hue value for all channels to its default.</p> <p>Available values for M: 1 [brightness] 2 [contrast] 3 [saturation] 4 [hue]</p>
SHSIZE N M	<p>Set the horizontal size (in pixels) of the specified channel.</p> <p>N = 1~4 [channel] M = 0~X (Max value of X depends on the current resolution.)</p>
RHSIZE N	<p>Display the current horizontal size of the specified channel.</p> <p>N = 1~4 [channel]</p>
SVSIZE N M	<p>Set the vertical size (in pixels) of the specified channel.</p> <p>N = 1~4 [channel] M = 0~X (Max value of X depends on the current resolution.)</p>



COMMAND	DESCRIPTION
RVSIZE	Display the current vertical size of the specified channel. N = 1~4 [channel]
SHPOS N M	Set the horizontal position (in pixels) of the top-left pixel of the specified channel. N = 1~4 [channel] M = 0~X (Max value of X depends on the current resolution.)
RHPOS	Display the current horizontal position of the specified channel. N = 1~4 [channel]
SVPOS N M	Set the vertical position (in pixels) of the top-left pixel of the specified channel. N = 1~4 [channel] M = 0~X (Max value of X depends on the current resolution.)
RVPOS	Display the current vertical position of the specified channel. N = 1~4 [channel]
SIMAGE N M	Enable or disable the display of the specified channel. N = 1~4 [channel]
RIMAGE N	Display the current display status of a channel. N = 0 [all channels], 1~4 [single channel]
SPRI N M	Set channel window layer priority (1 = top, 4 = bottom). N = 1~4 [channel] M = 1~4 [priority]



COMMAND	DESCRIPTION
RPRI N	Show the selected channel's window layer priority. N = 0 [all channels], 1~4 [single channel]
SLABEL N "Name"	Assign a name to a channel. N = 1~4 [channel] "Name" = Up to 9 alphanumeric characters.
RLABEL	Display the selected channel's name. N = 0 [all channels], 1~4 [single channel]
SSTORE M	Save the current channel window arrangement to a user Favorite (FAV) slot. M = 1~4 [FAV 1~FAV 4]
SRECALL M	Select the Window mode or user Favorite channel arrangement to use. Available values for M: 1 [Window A] 2 [Window B] 3 [Window C] 4 [Window D] 5 [Window E] 6 [Window F] 7 [Window G] 8 [Window H] 9 [FAV 1] 10 [FAV 2] 11 [FAV 3] 12 [FAV 4]
SMIRROR M	Enable or disable the mirror effect. M = 0 [off], 1 [on]
RMIRROR	Display the current mirror setting.



COMMAND	DESCRIPTION
SFADE M	<p>Set the fade in/fade out time.</p> <p>Available values for M (in seconds):</p> <p>0 [off] 1 [1.0] 2 [1.1] 3 [1.2] 4 [1.3] 5 [1.4] 6 [1.5] 7 [1.6] 8 [1.7] 9 [1.8] 10 [1.9] 11 [2.0] 12 [2.1] 13 [2.2] 14 [2.3] 15 [2.4] 16 [2.5] 17 [2.6] 18 [2.7] 19 [2.8] 20 [2.9] 21 [3.0] (Default = 0)</p>
RFADE	Display the current fade in/fade out setting.
SROTATE M	<p>Set the full screen output rotation angle.</p> <p>Available values for M:</p> <p>0 [no rotation] 1 [90° right] 2 [180°] 3 [90° left] (Default = 0)</p>
RROTATE	Display the current video rotation setting.



COMMAND	DESCRIPTION
SCHRKS M	<p>Select a key color preset for the chroma key.</p> <p>Available values for M:</p> <ul style="list-style-type: none"> 0 [User 1] 1 [User 2] 2 [White] 3 [Yellow] 4 [Cyan] 5 [Green] 6 [Magenta] 7 [Red] 8 [Blue] 9 [Black] (Default = 0)
RCHRKS	<p>Display the current chroma key preset selection.</p>
SCHRC N M	<p>Set the Red, Green, and Blue color ranges for the chroma key.</p> <p>Available values for N:</p> <ul style="list-style-type: none"> 0 [User 1, G max] 1 [User 1, G min] 2 [User 1, R max] 3 [User 1, R min] 4 [User 1, B max] 5 [User 1, B min] 6 [User 2, G max] 7 [User 2, G min] 8 [User 2, B max] 9 [User 2, B min] 10 [User 2, R max] 11 [User 2, R min] <p>M = 0~255 [brightness level]</p>



COMMAND	DESCRIPTION
RCHRC N	<p>Display the current brightness value of the selected chroma key item.</p> <p>Available values for N:</p> <p>0 [User 1, G max] 1 [User 1, G min] 2 [User 1, R max] 3 [User 1, R min] 4 [User 1, B max] 5 [User 1, B min] 6 [User 2, G max] 7 [User 2, G min] 8 [User 2, B max] 9 [User 2, B min] 10 [User 2, R max] 11 [User 2, R min]</p>
SCHRSW M	<p>Enable or disable the chroma key function.</p> <p>M = 0 [off], 1 [on] (Default = 0)</p>
RCHRSW	<p>Display the current chroma key function status.</p>
SIPM M	<p>Set the IP mode to either DHCP or static IP.</p> <p>M = 0 [DHCP], 1 [static IP] (Default = 1)</p>
RIPM	<p>Display the current IP mode.</p>
SIPADD N.N.N.N	<p>Set the static IP address.</p> <p>N = 0~255</p>
RIPADD	<p>Display the current static IP address.</p>
SMAADD N.N.N.N	<p>Set the static IP subnet mask.</p> <p>N = 0~255</p>
RMAADD	<p>Display the current static IP subnet mask.</p>
SGAADD N.N.N.N	<p>Set the static IP gateway address.</p> <p>N = 0~255</p>
RGAADD	<p>Display the current static IP gateway address.</p>



COMMAND	DESCRIPTION
SETHT M	Set the Ethernet timeout. Available values for M: 0 [off] 1 [10 min] 2 [20 min] 3 [30 min] 4 [40 min] 5 [50 min] 6 [60 min] (Default = 0)
RETHT	Display the current Ethernet timeout value.
RELINK	Re-link the unit after 2 seconds.
RMAC	Display the current MAC address.
IPCONFIG	Display the current Ethernet information.
DEFAULT	Reset the unit to factory defaults.
SVICH N M	Set the selected channel to display the specified video input. N = 0 [all channels], 1~4 [single channel] M = 1~4 [input]
RVICH	Display the current channel video sources.
SMUTE M	Set the mute status of the audio output. M = 0 [mute], 1 [unmute] (Default = 1)
RMUTE	Display the current mute setting.
SAUDIO M	Set the output audio to the specified input. M = 1~4 [input]
RAUDIO	Display the currently selected audio source.
SCHRE N	Reset the position, size, and priority settings for the specified channel to the factory defaults. N = 0 [all channels], 1~4 [single channel]
SWICORE	Reset the Window A~D rotation and mirror settings to the factory defaults.



COMMAND	DESCRIPTION
RBIOS	Display the BIOS version.
SLOGOD M	Enable or disable the logo display.
RLOGOD	Display the current state of the logo display.
SLOGOH M	Set the horizontal position (in pixels) of the top-left pixel of the logo. M = 0~X (Max value of X depends on the current resolution.)
RLOGOH	Display the current horizontal position of the logo.
SLOGOV M	Set the vertical position (in pixels) of the top-left pixel of the logo. M = 0~X (Max value of X depends on the current resolution.)
RLOGOV	Display the current vertical position of the logo.
SDEFLOGO	Load the factory default logo.
SNEWLOGO	Begin the new logo upload process.

Using TCP/IP protocol, sent to Port 23 for Telnet communication.

The user can confirm from the OSD menu or through RS-232 command to check Telnet connection behavior

```
Microsoft Windows [Version 6.1.7601]
Copyright (c) 2009 Microsoft Corporation. All rights reserved.

C:\Users\Administrator>telnet 192.168.5.80 23
```



3. OSD MENU

LEVEL 1	LEVEL 2	LEVEL 3	LEVEL 4
I/O Setup	Output Resolution	480p	
		576p	
		720p50	
		720p60	
		1080p24	
		1080p25	
		1080p30	
		1080p50	
		1080p60	
		1024×768	
		1280×800	
		1280×1024	
		1366×768	
		1440×900	
		1600×900	
1600×1200			
1680×1050			
1920×1200			
I/O Setup	Output Resolution	Native	
		Menu Exit	



LEVEL 1	LEVEL 2	LEVEL 3	LEVEL 4
I/O Setup (cont.)	Output Windows	Window A	
		Window B	
		Window C	
		Window D	
		Window E	
		Window F	
		Window G	
		Window H	
	Output Windows	Win Fav 1	
		Win Fav 2	
		Win Fav 3	
		Win Fav 4	
		Menu Exit	
	OSD Settings	Info Display	On/ Off
		H Offset	0~20 (5)
		V Offset	0~20 (5)
		Timeout	Off~50 (10)
		Transparent	0~10 (2)
	Logo Settings	Menu Exit	
		Logo Display	On/ Off
		Logo H-Pos	0~74 (73)
		Logo V-Pos	0~68 (6)
		Load Def Logo	On/ Off
		Load New Logo	On/ Off
	Menu Exit	Menu Exit	



LEVEL 1	LEVEL 2	LEVEL 3	LEVEL 4
Image Adjust	Brightness Adjust	CH1	0~100 (50)
		CH2	0~100 (50)
		CH3	0~100 (50)
		CH4	0~100 (50)
		Value Reset	
		Menu Exit	
	Contrast Adjust	CH1	0~100 (50)
		CH2	0~100 (50)
		CH3	0~100 (50)
		CH4	0~100 (50)
		Value Reset	
		Menu Exit	
	Hue Adjust	CH1	0~100 (50)
		CH2	0~100 (50)
		CH3	0~100 (50)
		CH4	0~100 (50)
		Value Reset	
		Menu Exit	
	Saturation	CH1	0~100 (50)
		CH2	0~100 (50)
		CH3	0~100 (50)
		CH4	0~100 (50)
		Value Reset	
		Menu Exit	
Image Still Adjust	CH1	On/ Off	
	CH2	On/ Off	
	CH3	On/ Off	
	CH4	On/ Off	
	Value Reset		
	Menu Exit		



LEVEL 1	LEVEL 2	LEVEL 3	LEVEL 4	
Image Adjust (cont.)	Image Swap	CH 1 CH 2 Swap		
		CH 1 CH 3 Swap		
		CH 1 CH 4 Swap		
		CH 2 CH 3 Swap		
		CH 2 CH 4 Swap		
		CH 3 CH 4 Swap		
Window Setup	Channel 1~4 Select	Size	Width Unit	
			Width Ten	
			Width Hundred	
			Height Unit	
			Height Ten	
			Height Hundred	
			Value Rest	
		Menu Exit		
		Position	Width Unit	
			Width Ten	
			Width Hundred	
			Height Unit	
			Height Ten	
			Height Hundred	
	Value Rest			
	Menu Exit			
			Image Output	On/Off
			Priority	1/2/3/4
			Window Reset	
			Menu Exit	



LEVEL 1	LEVEL 2	LEVEL 3	LEVEL 4	
Window Setup (cont.)	Label Select	Video 1		
		Video 2		
		Video 3		
		Video 4		
		Menu Exit		
	Fav. Store	FAV 1 Store		On/ Off
		FAV 2 Store		On/ Off
		FAV 3 Store		On/ Off
		FAV 4 Store		On/ Off
	Menu Exit			
Menu Exit				
Window Convert	Channel 1~4	Mirror	On/ Off	
	Convert	Fade In-Out	Off /1.0/1.1/1.2/1.3/1.4/ 1.5/1.6/1.7/1.8/1.9/2.0/ 2.1/2.2/2.3/2.4/2.5/2.6/	
		Rotation	L90/R90/180/ Off	
		Window Reset		
		Menu Exit		
	Menu Exit			
ChromaKey Setup	User 1	Minimum for R/G/B	000~255 (0)	
		Maximum for R/G/B	222~255 (255)	
	User 2	Minimum for R/G/B	000~255 (0)	
		Maximum for R/G/B	222~255 (255)	
	White	Minimum for R/G/B	000~255 (233)	
		Maximum for R/G/B	222~255 (255)	
	Yellow	Minimum for R/G/B	000~255 (233/233/0)	
		Maximum for R/G/B	222~255 (255/255/16)	
Cyan	Minimum for R/G/B	000~255 (233/0/233)		
	Maximum for R/G/B	222~255 (255/16/255)		



LEVEL 1	LEVEL 2	LEVEL 3	LEVEL 4
Chromakey Setup (cont.)	Green	Minimum for R/G/B	000~255 (233/0/0)
		Maximum for R/G/B	222~255 (255/16/16)
	Magenta	Minimum for R/G/B	000~255 (0/233/233)
		Maximum for R/G/B	222~255 (16/255/255)
	Red	Minimum for R/G/B	000~255 (0/233/0)
		Maximum for R/G/B	222~255 (0/233/0)
	Blue	Minimum for R/G/B	000~255 (0/0/232)
		Maximum for R/G/B	222~255 (16/16/255)
	Black	Minimum for R/G/B	000~255 (0)
		Maximum for R/G/B	222~255 (16)
Chromakey	On/Off		
Menu Exit			
Ethernet Setup	IP Mode	Static/DHCP	
	Static Set	IP/Mask/Gate	
	Byte1 High	192 (192)	
	Byte2	168 (168)	
	Byte3	1 (1)	
	Byte4 Low	50 (50)	
	Time Out	Off/10/20/30/40/50/	
	Re-Link	No/Yes	
	Menu Exit		
Audio Setup	Audio Source	Mute/CH1~CH4	
Sys Reset	On/Off		
Information	Screen HDMI		
	Native		
	F/W Version		
	F/W Upgrade		
	Menu Exit		
Menu Exit			

Chromakey Setup works only under CH1 & CH2 where CH1 is the background and CH2 is the top layer. This special function is designed for picture overlap video such as news reporter, weather forecast or educational video taping. CH2 the top layer's background color is usually a single color which can be easy for remove. RGB's setting is for CH2 video where the minimum setting figures cannot be greater than the maximum figures and the maximum figures cannot be lower than the minimum setting figures. When input 1 or 2 has no source connection a warning message will appear on OSD.



4. WebGUI Control

All main functions of this unit are accessible via the built in WebGUI. This control is presented across 8 tabs, including Image Adjust, Image Swap, Output Resolution, Windows Setup, OSD/LOGO Settings, Window Convert, Chromakey Setup and Ethernet. Depending on the unit's current operation mode, some tabs will be disabled.

To access the WebGUI, open a web browser on a PC/Laptop that is connected to an active network and type the unit's IP address (available from the OSD menu) into the web address entry bar.



Common Functions:

The top section of each tab is dedicated to presenting a standard selection of information and basic controls including channel & output information, unit status, source, and window selection, and favorite preset storing.

- (1) **Information-In:** Displays the detected resolution for each of the 4 window channels.
- (2) **Information-Out:** Displays the current output resolution and Window Mode.
- (3) **Status:** Displays current input to channel mapping and provides a control to turn the unit on/off (stand-by).
- (4) **Source:** Provides controls to set the Window Mode (A~H, Fav 1~4), set the input to channel mapping, select the live audio source or to mute the output audio.
- (5) **FAV. Store/Factory:** Provides controls to store the current window channel sizes and positioning as a user Favorite (1~4). Click on the "Factory Default" button to reset the entire unit to the factory defaults.



Image Adjust

Select the “Image Adjust” tab to adjust the contrast, saturation, brightness, brightness and hue of each channel window. Additionally, each channel can be paused/un-paused independently, or all at the same time.

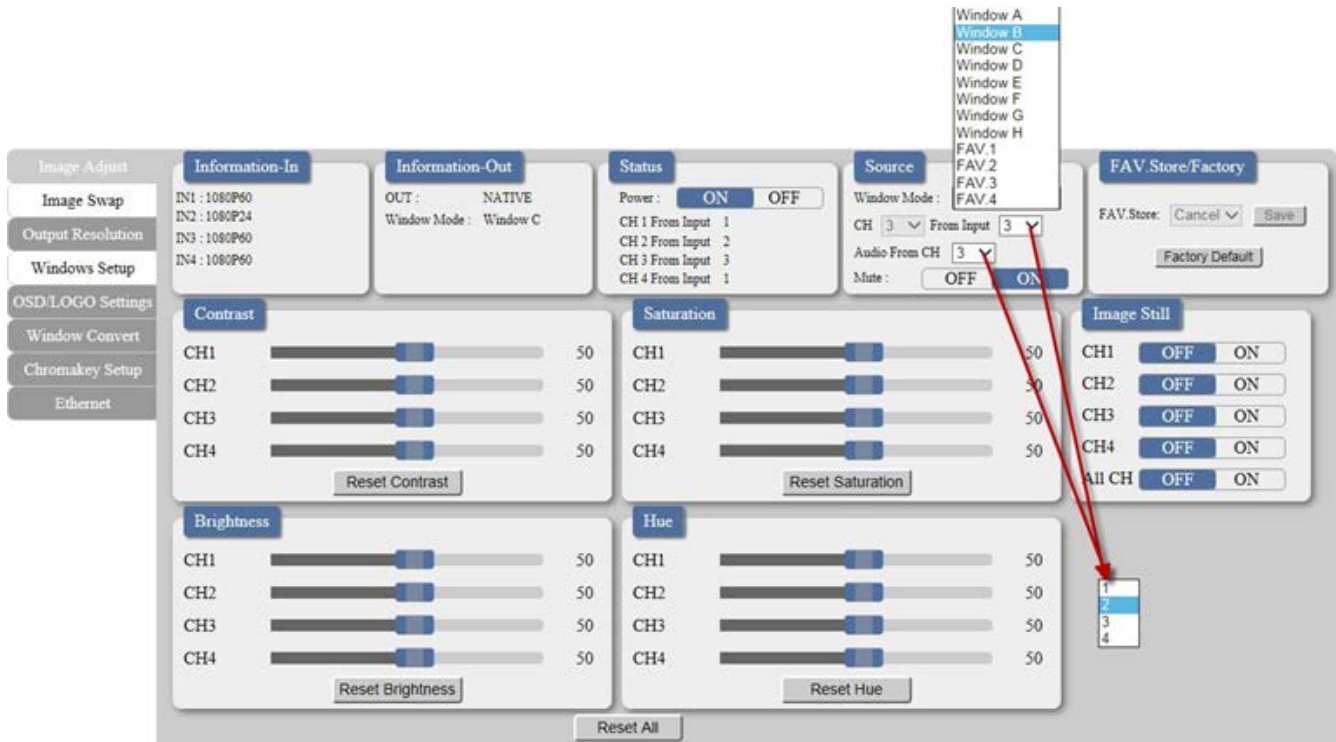
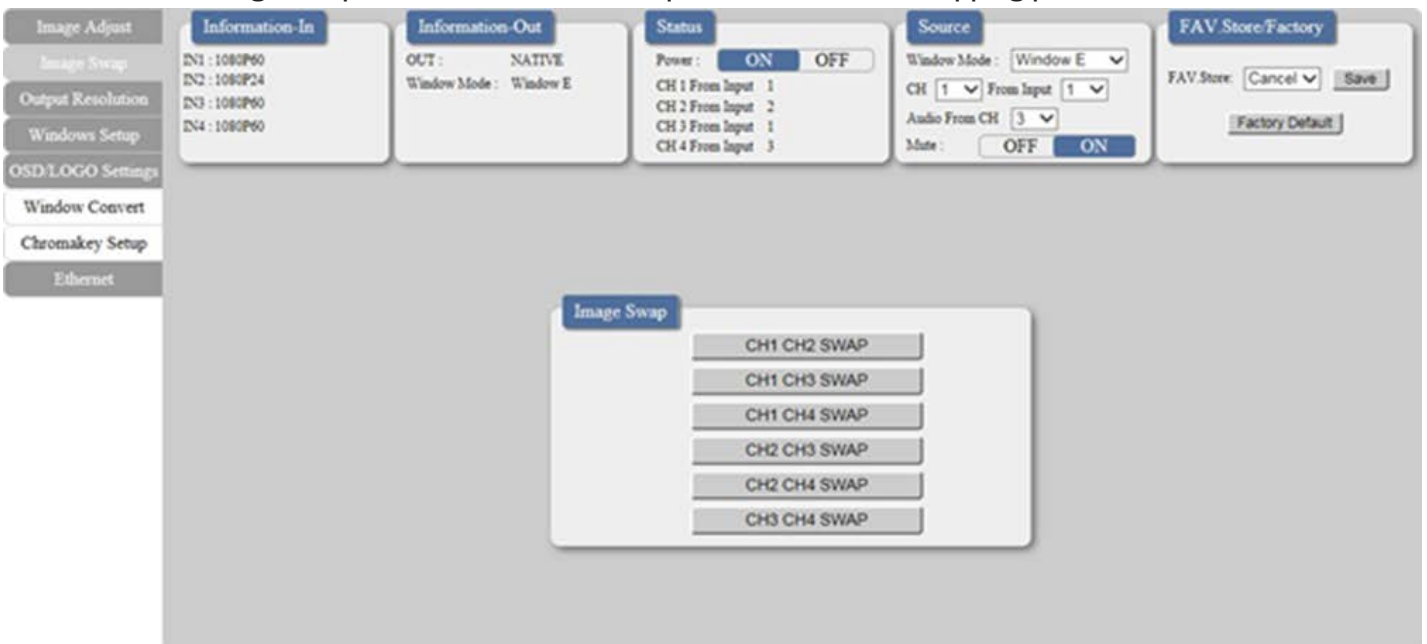


Image Swap

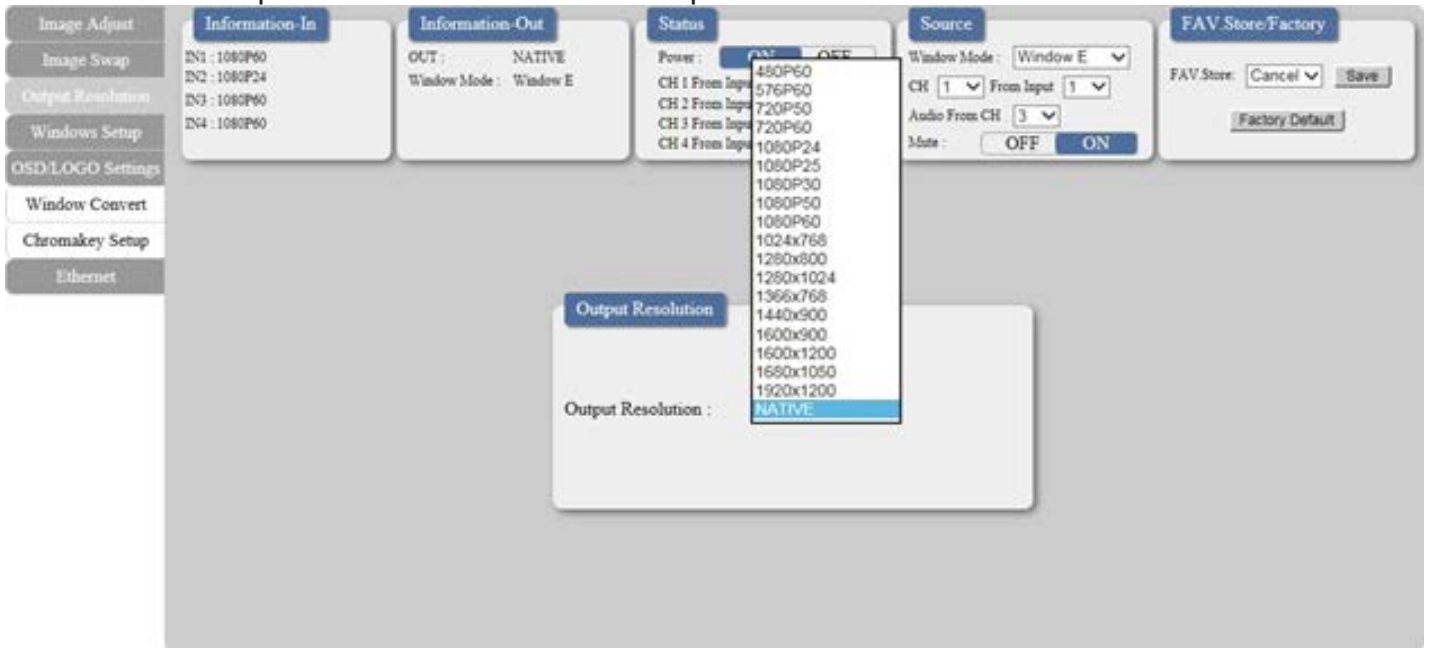
(Multi-Window Mode [E~H] only)

Click on the “Image Swap” tab to access a set of quick shortcuts for swapping pairs of channel sources.



Output Resolution

Click on the “Output Resolution” tab to set the output resolution for the unit.

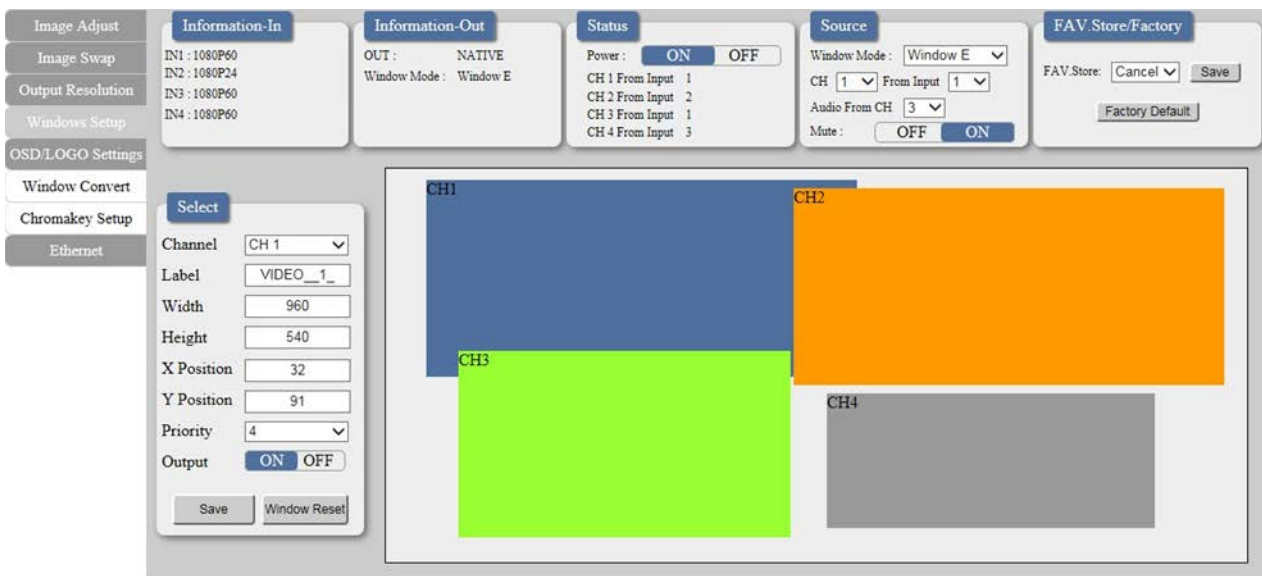


Windows Setup

(Multi-Window Mode [E~H] only)

Click on the “Windows Setup” tab to configure each channel window’s size, position, depth priority, and label. The individual channels may also be enabled/disabled. These settings can be directly entered as values on the left side of the tab, or the channel windows can be positioned and resized using the mouse within the graphical representation of the output layout.

Click and drag the center of a channel window to reposition it. Click and drag the bottom or right side of a channel window to re-size it. Double-click on a channel window will disable the output of that channel



Notes:

- The positioning coordinates are measured from the upper-left corner of each channel window and the values depend on the selected output resolution.
- All changes made via mouse control occur immediately and are saved to the current Window Mode. To apply and save changes made via text entry the “Save” button must be pressed.

OSD/LOGO Settings

Click on the “OSD/LOGO Settings” tab to configure the OSD & LOGO's function and screen position.

The screenshot shows the OSD/LOGO Settings interface. The interface is divided into several sections: Information-In, Information-Out, Status, Source, and FAV.Store/Factory. The OSD Settings section includes controls for Info Display (ON/OFF), H-POS (5), V-POS (5), Timeout (10), and Transparent (5). The LOGO Settings section includes controls for LOGO Display (ON/OFF), H-POS (78), V-POS (6), and buttons for Load Default LOGO and Load New LOGO. Two callout boxes provide instructions: 'Please wait 10 seconds for loading default LOGO!' and 'Please put .bmp file in open directory and wait 1 minute for uploading new LOGO!'.

- (1) **OSD Settings:** The OSD info display that appears when an input is changed can be enabled or disabled. Additionally, the OSD Menu position, timeout period, and transparency level can be configured here.
- (2) **LOGO Settings:** This section provides controls for the user uploadable graphic logo function. The logo can be turned on/off and freely positioned in 1% increments. Similar to channel windows the positioning is figured from the top left corner. Activating the logo upload procedure can be done from here or the logo can be returned to the unit's built-in default image.

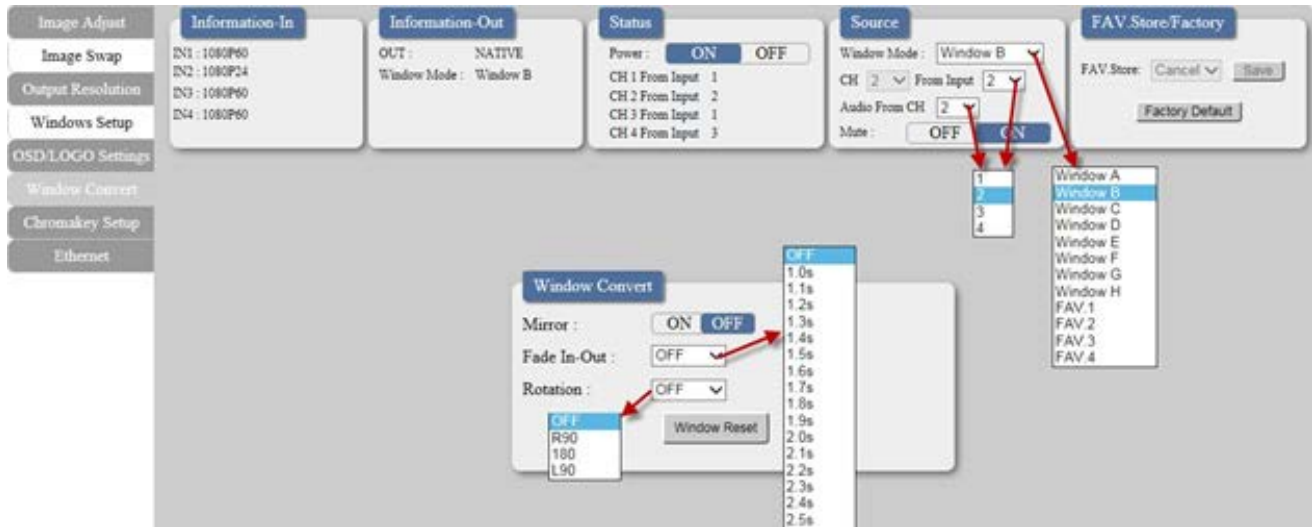
Note: For detailed Logo upload instructions please refer to section 6.2 “USB SERVICE ONLY”.



Window Convert

(Single Window Mode [A~D] only)

Click on the “Window Convert” tab to access controls for mirror mode, 90° rotation and crossfade length.

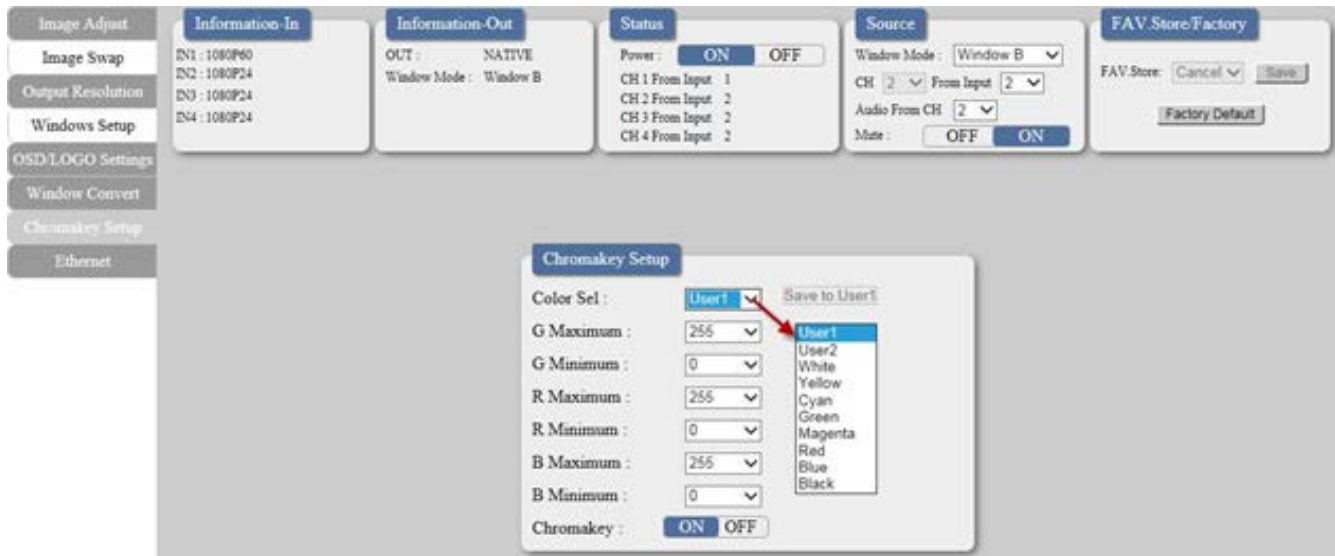


Note: When rotation is enabled, crossfade and chromakey functionality is disabled.

Chromakey Setup

(Single Window Mode [A~D] only)

Click on the “Chromakey Setup” tab to allow the activation and configuration of Chromakey mode. Enabling the Chromakey mode will automatically switch to displaying Input 1 underneath Input 2 with the selected key values applied to Input 2’s source video. The unit comes with 8 pre-defined standard key definitions (White, Yellow, Cyan, Green, Magenta, Red, Blue, Black) and 2 User configurable definition sets. When Input 1 or 2 has no live source a warning message will appear on the OSD.



Note: When Chromakey is enabled, crossfade and rotation functionality is disabled.



Ethernet

Click on the “Ethernet” tab to access control of the IP configuration for the unit. The IP Address, subnet mask and Gateway can be set manually, or DHCP can be enabled for automatic IP configuration if your local network supports it. The Telnet Timeout can also be set, allowing control of the length of inactivity time before the unit releases its network connection with a network connected control device. Click on “Save Changes” to confirm and activate any changes made to the settings. The unit needs to re-link to the network after any changes have been made and will automatically perform this operation once “Save Changes” has been clicked.

The screenshot displays the Ethernet configuration page. At the top, there are five tabs: Information-In, Information-Out, Status, Source, and FAV.Store.Factory. The Ethernet tab is selected and shows the following settings:

- DHCP
- MAC : F8-22-85-00-05-40
- IP Address : 192.168.5.234
- Netmask : 255.255.255.0
- Gateway : 192.168.1.254
- Telnet Timeout : OFF (dropdown menu with options: 10 min, 20 min, 30 min, 40 min, 50 min, 60 min)

A "Save Changes" button is located to the right of the Gateway field.

Note: If the IP address is changed then the IP address required for WebGUI or Telnet access will also change accordingly.



Notes





AV Connectivity, Distribution And Beyond...

TECHNICAL SUPPORT

CONTACT US



Phone: 1 (866) 508 0269



Email: support@avenview.com



USA Head Office Avenview Corp. 275 Woodward Avenue Kenmore, NY 14217

USA Head Office

Office Avenview
Corp. 275 Woodward Avenue
Kenmore, NY 14217
Phone: +1.716.218.4100 ext223
Fax: +1.866.387-8764
Email: info@avenview.com

Canada Sales

Avenview
151 Esna Park drive, Unit 11 & 12
markham, Ontario, L3R 3B1
Phone: 1.905.907.0525
Fax: 1.866.387.8764
Email: info@avenview.com

Avenview Europe

Avenview Europe
demkaweg 11
3555 HW Utrecht
Netherlands
Phone: +31 (0)85 2100-613
Email: info@avenview.eu

Avenview Hong Kong

Unit 8, 6/F., Kwai Cheong Centre,
50 Kwai Cheong Road,
Kwai Chung, N.T.
Hong Kong
Phone: 852-3575 9585
Email: wenxi@avenview.com

Disclaimer

While every precaution has been taken in the preparation of this document, Avenview Inc. assumes no liability with respect to the operation or use of Avenview hardware, software or other products and documentation described herein, for any act or omission of Avenview concerning such products or this documentation, for any interruption of service, loss or interruption of business, loss of anticipatory profits, or for punitive, incidental or consequential damages in connection with the furnishing, performance, or use of the Avenview hardware, software, or other products and documentation provided herein.

Avenview Inc. reserves the right to make changes without further notice to a product or system described herein to improve reliability, function or design. With respect to Avenview products which this document relates, Avenview disclaims all express or implied warranties regarding such products, including but not limited to, the implied warranties of merchantability, fitness for a particular purpose, and non-infringement.