

HDMI-C5-HD Series

User's Guide



© 2008 Avenview™ Inc. All rights reserved.

The contents of this document are provided in connection with Avenview Inc. ("Avenview") products. Avenview makes no representations or warranties with respect to the accuracy or completeness of the contents of this publication and reserves the right to make changes to specifications and product descriptions at any time without notice. No license, whether express, implied, or otherwise, to any intellectual property rights is granted by this publication. Except as set forth in Avenview Standard Terms and Conditions of Sale, Avenview assumes no liability whatsoever, and disclaims any express or implied warranty, relating to its products including, but not limited to, the implied warranty of merchantability, fitness for a particular purpose, or infringement of any intellectual property right.

Reproduction of this manual, or parts thereof, in any form, without the express written permission of Avenview Inc. is strictly prohibited.

Disclaimer

While every precaution has been taken in the preparation of this document, Avenview Inc. assumes no liability with respect to the operation or use of Avenview hardware, software or other products and documentation described herein, for any act or omission of Avenview concerning such products or this documentation, for any interruption of service, loss or interruption of business, loss of anticipatory profits, or for punitive, incidental or consequential damages in connection with the furnishing, performance, or use of the Avenview hardware, software, or other products and documentation provided herein.

Avenview Inc. reserves the right to make changes without further notice to a product or system described herein to improve reliability, function or design. With respect to Avenview products which this document relates, Avenview disclaims all express or implied warranties regarding such products, including but not limited to, the implied warranties of merchantability, fitness for a particular purpose, and non-infringement.

Table of Contents

| | |
|--|----|
| Getting Started..... | 3 |
| Key Features..... | 3 |
| System Devices and Functions | 4 |
| Transmitter HDMI-C5-HD-S and Receiver HDMI-C5-HD-R..... | 4 |
| 4 / 8-Port Transmitter HDMI-C5-4, HDMI-C5-8..... | 4 |
| Panel Description | 5 |
| Transmitter HDMI-C5-HD-S and..... | 5 |
| Receiver HDMI-C5-HD-R..... | 5 |
| Installation and Operation | 6 |
| One HDMI Source to One Local Display and Multiple Remote Display | 6 |
| One HDMI Source to One HDMI Display | 8 |
| Cascading Connection for Two HDMI Extenders | 10 |
| Specifications | 13 |

Getting Started

The HDMI-C5-HD Extender system is *a great solution* for digital signage, public information display, and large scale demonstration, where crystal-clear, High-Definition digital video needs to be shown.

By taking the advantage of *cost efficient* Cat 5 / 5e / 6 cable, the HDMI-C5-HD Extender can simplify installation. With its unlimited cascading capacity, you can extend digital video displays almost anywhere. The Transmitter and Transceiver units are fitted with *magnetic pads*, enabling them to be quickly attached to metal surfaces. A screw fixing plate is also included for permanent installations.

Key Features

- HDMI signal extended through Cat 5 / 5e / 6 cable
- The system consists of Transmitter and Receiver.
 - a. Transmitter has a HDMI local connection and extends the HDMI signal over Cat 5 / 5e / 6 cable.
- Cost effective solution to extend HDMI signal over Cat 5 / 5e / 6
- Maximum distance between Transmitter and Transceivers:
 - a. 480p = 80m (275 ft)
 - b. 720p / 1080i = 70m (230 ft)
 - c. 1080p = 30m (100 ft)
- HDMI 1.2 compliant
- Built-in EQ control to adjust the video quality
- LED Status to indicate HDMI signal activity
- Cascading possible with HDMI-C5-4 & HDMI-C58

System Devices and Functions

Transmitter HDMI-C5-HD-S and Receiver HDMI-C5-HD-R

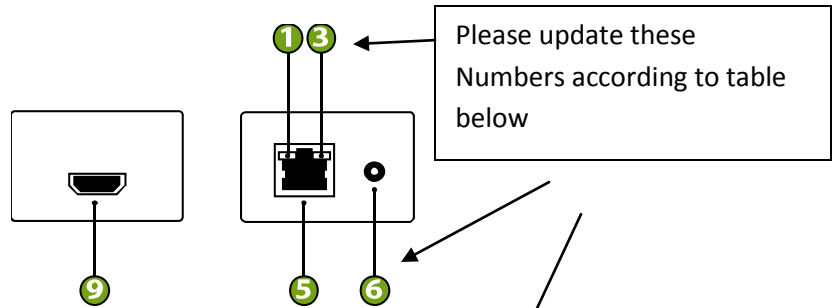
- a. Built-in one HDMI input
- b. Built-in one HDMI output for Local Monitor
- c. Built-in one RJ45 port for system output which can be connected by Cat 5 / 5e / 6 cable and send signal to System Receiver

4 / 8-Port Transmitter HDMI-C5-4, HDMI-C5-8

- d. Built-in one HDMI input
- e. Maximum HD resolution of up to 1080p@30m (100 ft)
- f. Built in one HDMI output to monitor the signal broadcast
- g. Built-in 4 / 8 RJ45 ports for system output which can be connected by Cat 5 / 5e / 6 cable and send signal to 4 / 8 of System Receiver or Transceiver.

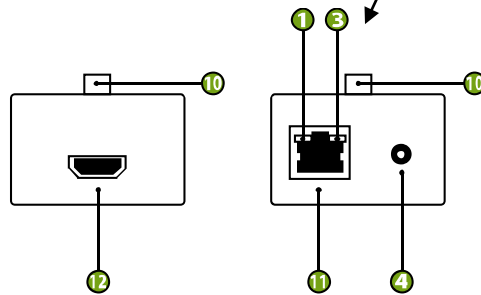
Panel Description

Transmitter HDMI-C5-HD-S and



| | |
|-----------------------------------|------------------------|
| 1. Link Activity Status | 2. Power Status |
| 3. Cat 5 / 5e / 6 Out to Receiver | 4. Power Adapter Input |
| 5. HDMI IN: From Display Source | |

Receiver HDMI-C5-HD-R



| | |
|--|---|
| 1. Link Activity Status | 2. Power Status |
| 3. Cat 5 / 5e / 6 Out to Receiver | 4. Power Adapter Input |
| 5. Equalizer Control Knob | 6. Cat 5 / 5e / 6 in from Extender or Transmitter |
| 7. HDMI OUT: To Remote Display Monitor | |

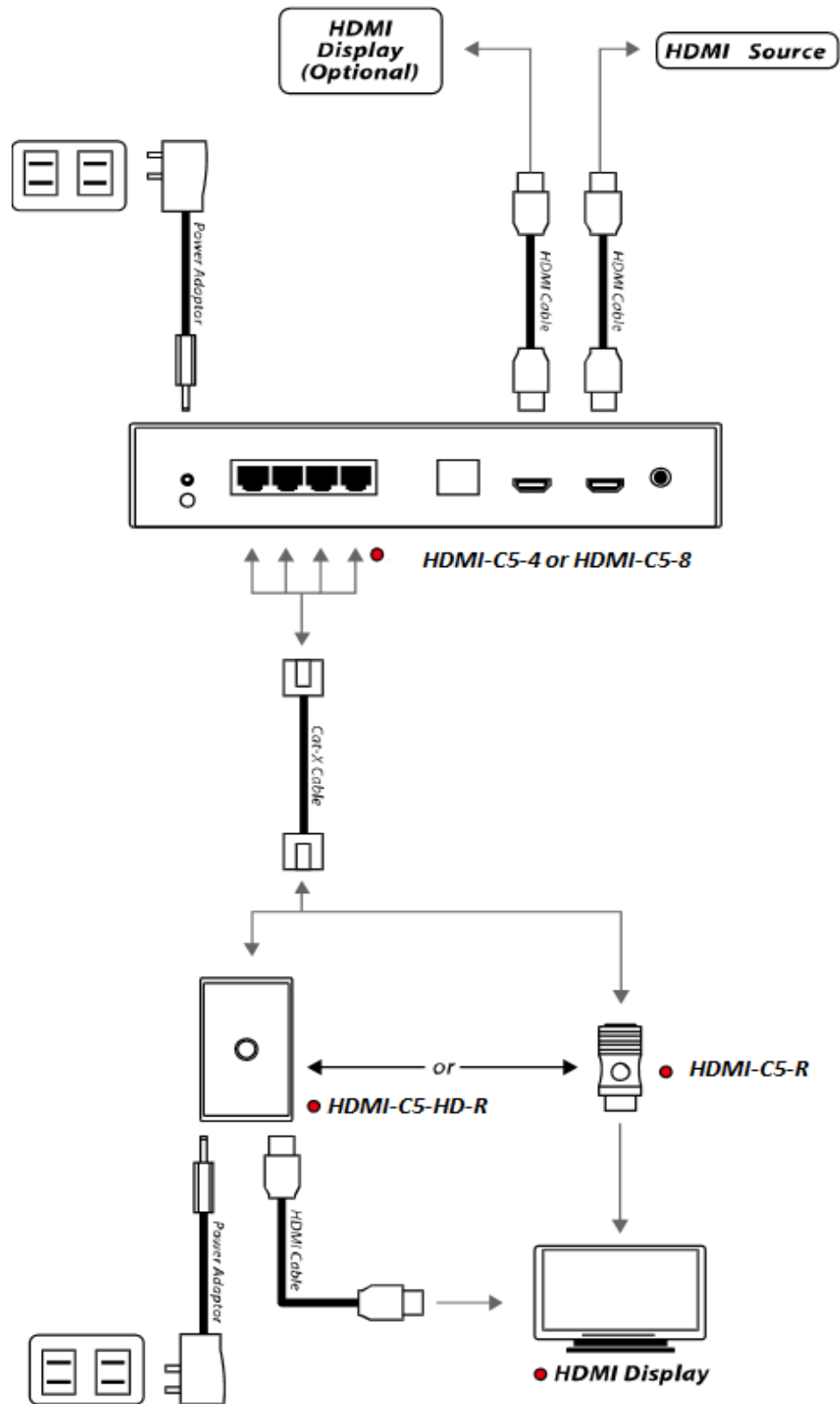


Installation and Operation

One HDMI Source to One Local Display and Multiple Remote Display

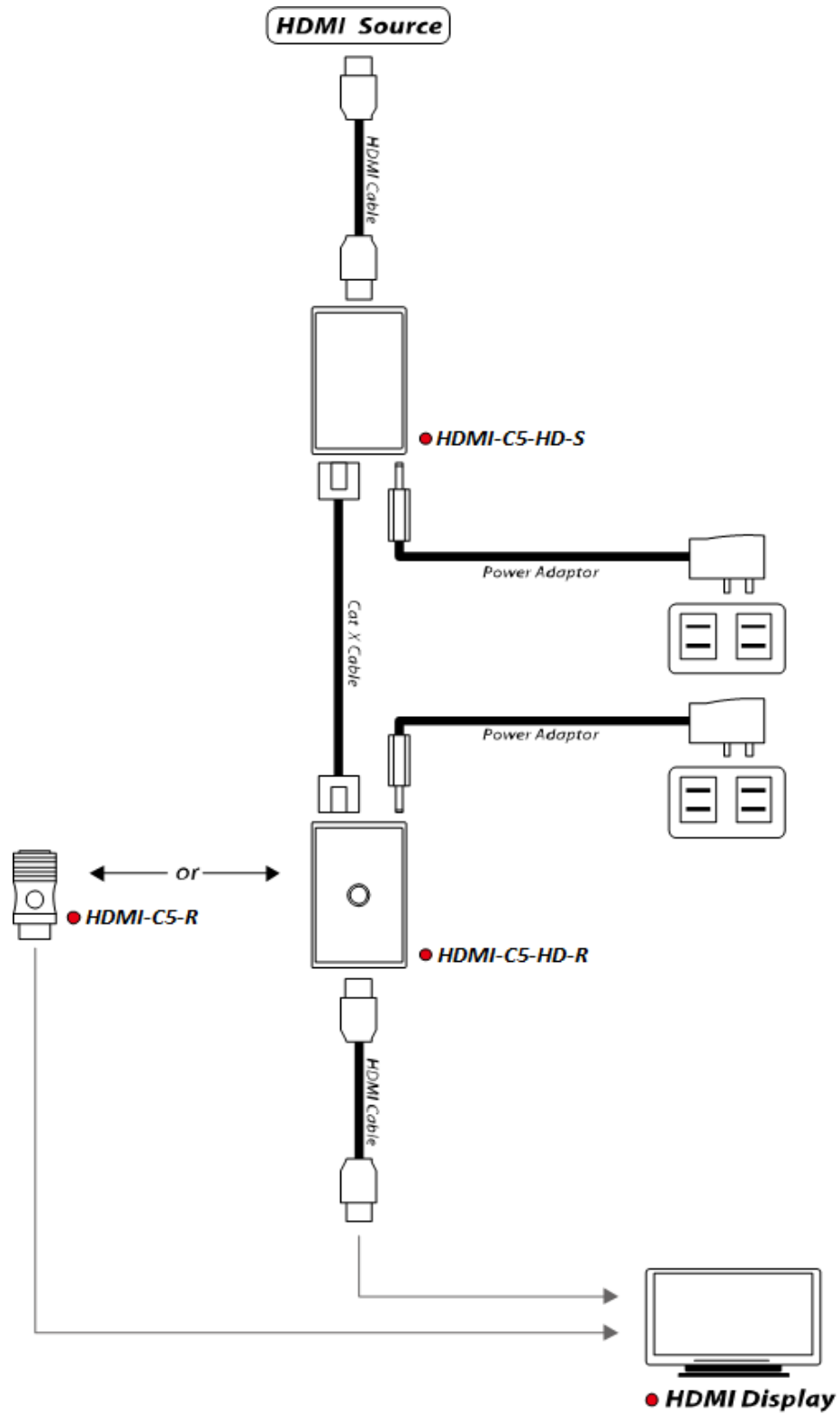
- a. Power off all devices
- b. Connect HDMI source device to HDMI-C5-4 or HDMI-C5-8 using HDMI cable
- c. Connect HDMI-C5-4 or HDMI-C5-8 to HDMI-C5-HD-R or HDMI-C5-R using Cat 5 / 5e / 6 cable
- d. Connect HDMI-C5-HD-R to HDMI Display using HDMI cable.
- e. Repeat Step “c” and “d” for next HDMI display until all monitors are connected.
- f. If local display is required, connect HDMI display to HDMI Transmitter.
- g. Connect Power Adapter to HDMI-C5-4 or HDMI-C5-8 and HDMI-C5-HD-R
- h. Power on all devices
- i. Adjust equalizer control knob to fine tune picture quality.

If noise or an unstable image is seen on the local HDMI monitor, adjust the EQ control for best image display quality.



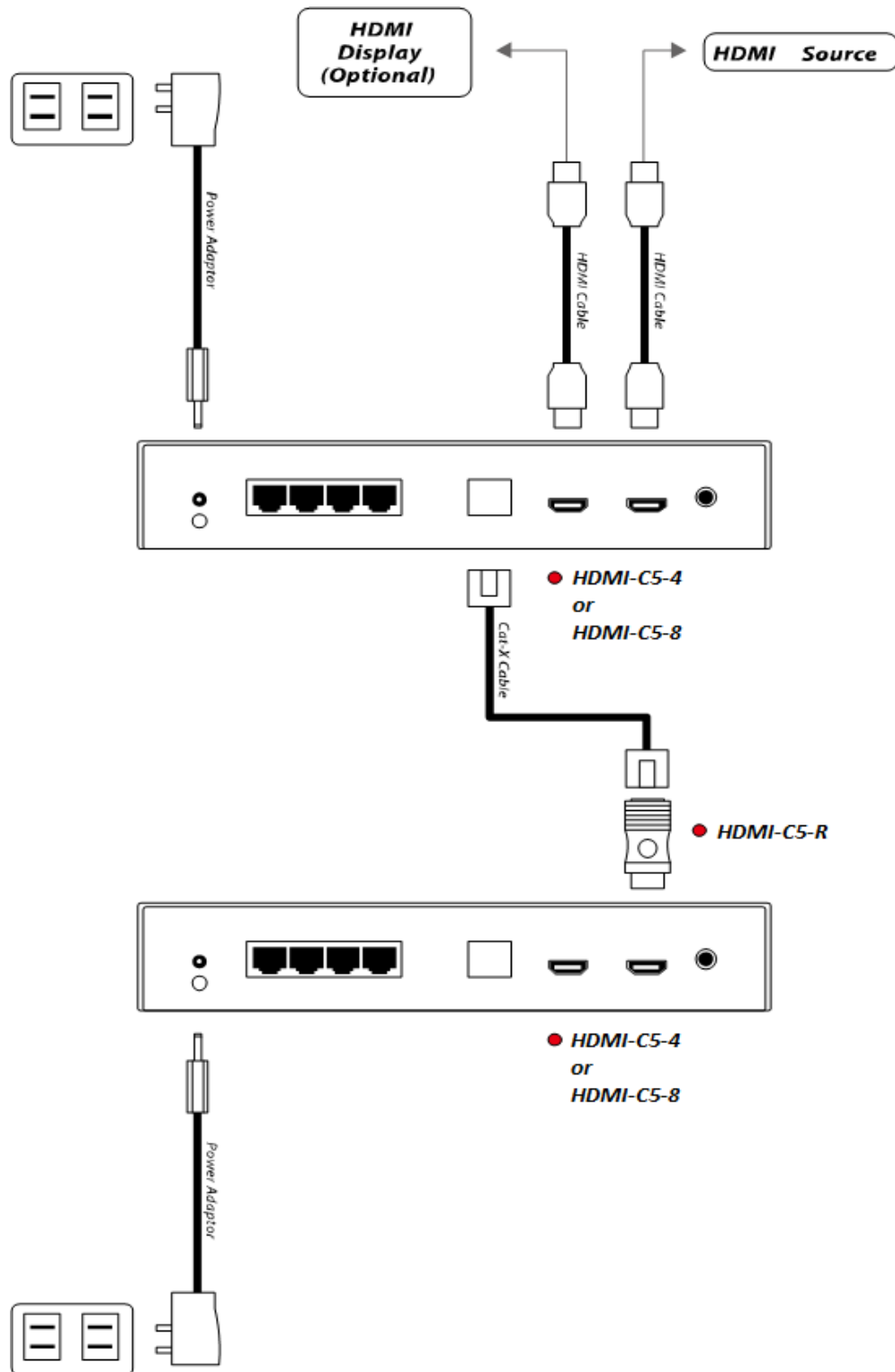
One HDMI Source to One HDMI Display

- a. Power off all devices
- b. Connect HDMI source device to HDMI-C5-4 or HDMI-C5-8 using HDMI cable
- c. Connect HDMI-C5-4 or HDMI-C5-8 to HDMI-C5-HD-R or HDMI-C5-R using Cat 5 / 5e / 6 cable
- d. Connect HDMI-C5-HD-R to HDMI Display using HDMI cable.
- e. Repeat Step “c” and “d” for next HDMI display until all monitors are connected.
- f. If local display is required, connect HDMI display to HDMI Transmitter.
- g. Connect Power Adapter to HDMI-C5-4 or HDMI-C5-8 and HDMI-C5-HD-R
- h. Power on all devices
- i. Adjust equalizer control knob to fine tune picture quality.



Cascading Connection for Two HDMI Extenders

- a. Follow Step a ~ Step i in “One HDMI Source to One HDMI Display”
- b. Connect Primary HDMI-C5 Extender (HDMI-C5-4 or HDMI-C5-8) to HDMI Receiver using Cat 5 / 5e / 6 cable
- c. Connect HDMI-C5-R to Secondary HDMI Extender (HDMI-C5-4 or HDMI-C5-8)
- d. Power on all Devices
- e. Adjust equalizer control knob to fine tune picture quality



General Troubleshooting

| Problem | Possible Solution |
|--|--|
| Screen Defects Appear | <ul style="list-style-type: none">• Check your current resolution, refresh rate and color depth settings in the Settings and Monitor tabs in your Display Properties dialog. |
| Off-Center Screen Image, Odd Colors or No Picture | <ul style="list-style-type: none">• Try adjusting the brightness, sharpness, contrast, and color balance controls of your monitor.• Try adjusting the centering and positioning controls of your monitor to position the picture on the screen. |
| No Image | <ul style="list-style-type: none">• Ensure that the monitor cable is securely fastened to the HDMI and Monitor port.• Try to connect monitor directly to a PC to ensure basic functionality of these devices. |

Specifications

| Model | HDMI-C5-HD-S | HDMI-C5-HD-R | HDMI-C5-4 | HDMI-C5-8 |
|------------------------------------|--|----------------------|---|---|
| Description | 1 Port HDMI Transmitter | 1 Port HDMI Receiver | 4 Port HDMI Transceiver | 8 Port HDMI Transceiver |
| Input | HDMI Female x 1 | RJ45 x 1 | HDMI Female x 1 | HDMI Female x 1 |
| Output | RJ45 x 1 | HDMI Female x 1 | HDMI Female x 1 RJ45 HDMI Out x 4 RJ45 Link Out x 1 | HDMI Female x 1 RJ45 HDMI Out x 8 RJ45 Link Out x 1 |
| Max Distance and Resolution | With each cascading length: < 80m (275ft) @ 480p < 70m (230ft) @ 720p / 1080i < 30m (100ft) @ 1080p | | | |
| Audio Channel | Stereo | | | |
| Signal Type | HDMI 1.2 | | | |
| Power Consumption | DC 5V 750mA | DC 5V 750mA | DC 5V 1.8A | DC 5V 2.5A |
| Dimensions (LxWxH) | Compact Size 62 x 39 x 21 | | 1U, 240 x 180 x 44 | |

