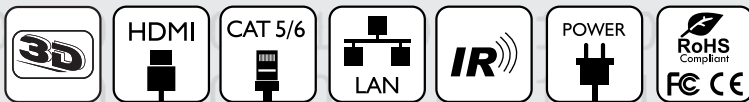




Control Your Video

**VIDEO WALLS VIDEO PROCESSORS  
VIDEO MATRIX SWITCHES  
EXTENDERS SPLITTERS WIRELESS  
CABLES & ACCESSORIES**

## Control Commands



**Model #: SW-HBT-C6IRLT-4X4E**

© 2013 Avenview Inc. All rights reserved.

The contents of this document are provided in connection with Avenview Inc. ("Avenview") products. Avenview makes no representations or warranties with respect to the accuracy or completeness of the contents of this publication and reserves the right to make changes to specifications and product descriptions at any time without notice. No license, whether express, implied, or otherwise, to any intellectual property rights is granted by this publication. Except as set forth in Avenview Standard Terms and Conditions of Sale, Avenview assumes no liability whatsoever, and claims any express or implied warranty, relating to its products are strictly prohibited.

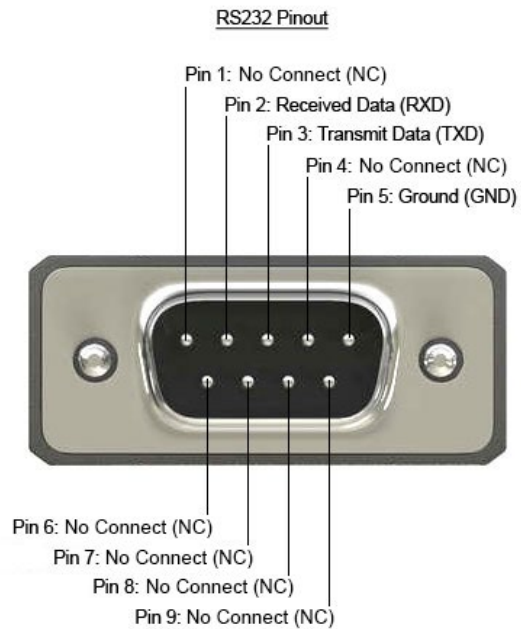
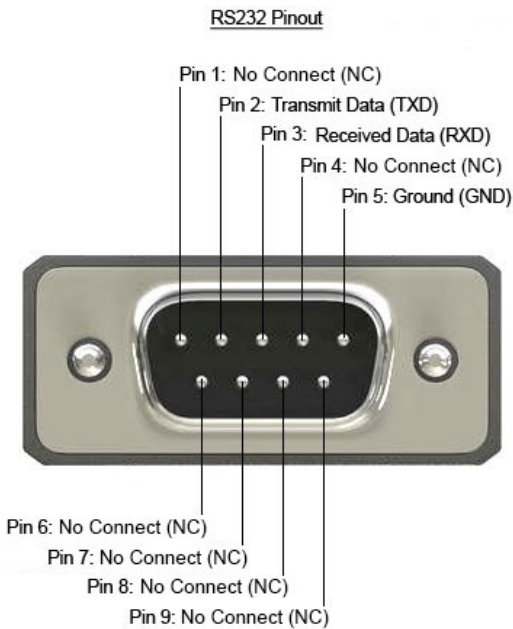
# SECTION I: COMMAND PROTOCOL FORMAT (RS-232 SERIAL PORT)

## I. SERIAL PORT SETTING

- Baud Rate: 19200 bps
- Data Bit: 8 bits
- Parity: None
- Flow Control: None
- Stop Bit: 1

### RS-232 Wiring (Straight Connection)

SW-HBT-C6IRLT-4X4E		Remote Controller(PC)	
PIN	Assignment	PIN	De finition
1	NC	1	NC
2	TxD	2	TxD
3	RxD	3	RxD
4	NC	4	NC
5	GND	5	GND
6	NC	6	NC
7	NC	7	NC
8	NC	8	NC
9	NC	9	NC



## 2. RS-232 & TELNET COMMANDS

All commands will be not executed unless followed with a carriage return (0x0D) and commands are case sensitive.

Command	Active
<b>A1~A4</b>	Switch Output A to 1~4
<b>B1~B4</b>	Switch Output B to 1~4
<b>C1~C4</b>	Switch Output C to 1~4
<b>D1~D4</b>	Switch Output D to 1~4
<b>AB...1~AB...4</b>	Switch Output A B C D... to 1~4 at the same time
<b>SETIP &lt;IP&gt; &lt;SubNet&gt; &lt;GW&gt;</b>	Setting IP. SubNet. GateWay (Static IP)
<b>RSTIP</b>	IP Configuration Was Reset To Factory Defaults <DHCP>
<b>IPCONFIG</b>	Display the Current IP Config
<b>P0</b>	Power OFF
<b>P1</b>	Power ON
<b>I1~I4</b>	Switch all the Output to 1~4
<b>ST</b>	Display the current matrix status and F/W version
<b>RS</b>	System Reset to H4
<b>EM</b>	Setting EDID MODE. 1-STD 2-TV
<b>?</b>	Display all the available commands
<b>Quit</b>	Exit (for telnet only)



### 3. TELNET CONTROL

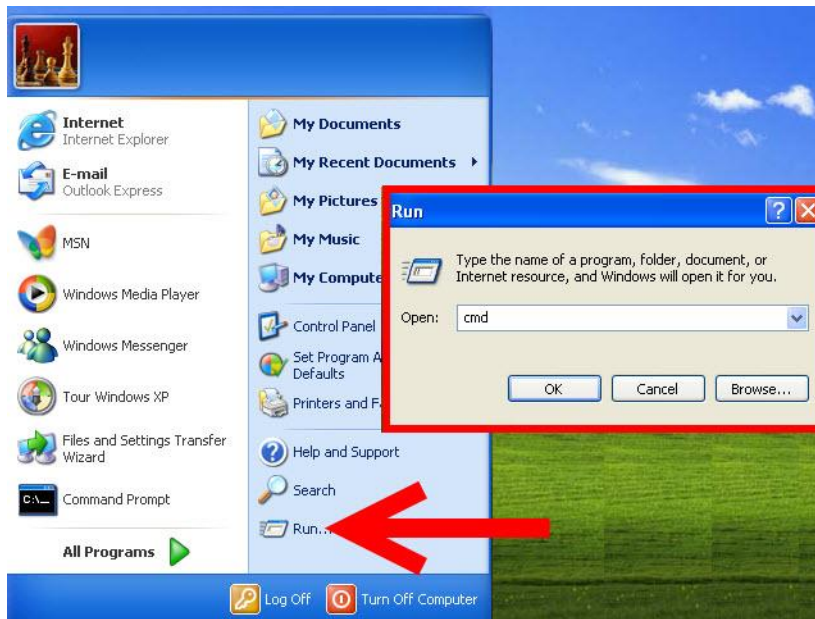
Using TCP/IP protocol, sent to Port 23 for Telnet communication.

The user can confirm from the OSD menu or through RS-232 command to check Telnet connection behavior.

To use the telnet control, please ensure that both the Matrix (via the 'LAN /CONTROL' port) and the PC/Laptop are connected to the active networks not directly connected.

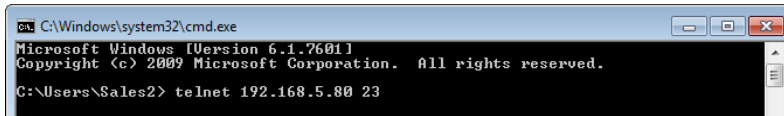
To access the telnet control in Windows 7, click on the 'Start' menu and type "cmd" in the Search field then press enter. Under Windows XP go to the 'Start' menu and click on "Run", type "cmd" with then press enter.

Under Mac OS X, go to Go→Applications→Utilities→Terminal See below for reference.



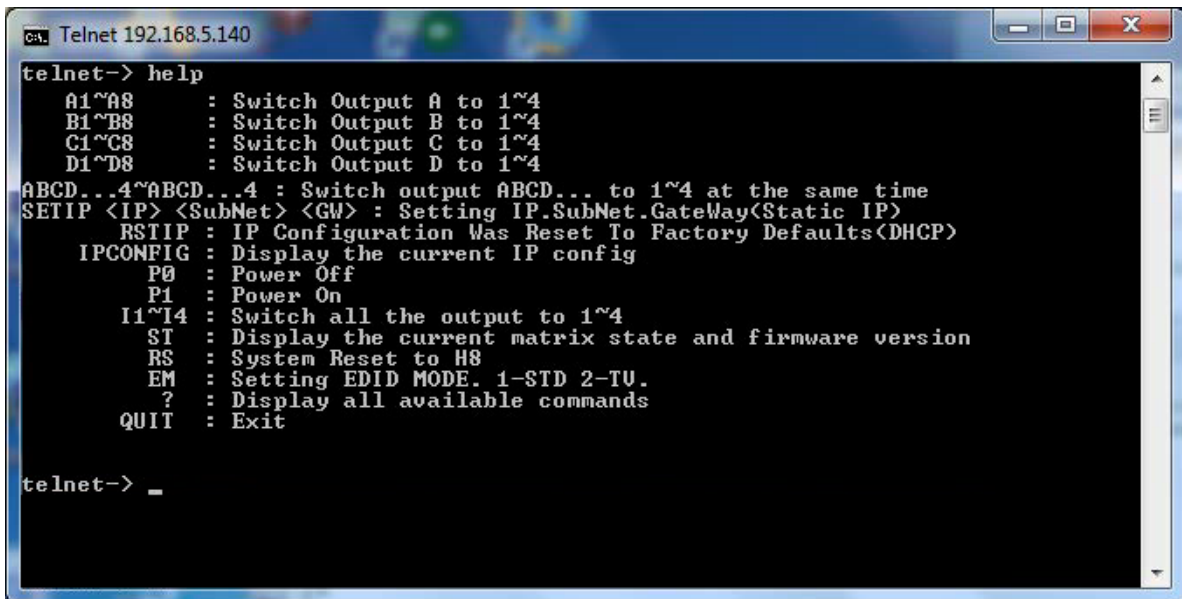
In the CMD window proceed to type "telnet", then the IP address of the unit and "23", then hit enter/return.

Note: The IP address of the Matrix can be displayed on the device's LCM monitor by pressing the Menu button twice.



```
C:\Windows\system32\cmd.exe
Microsoft Windows [Version 6.1.7601]
Copyright (c) 2009 Microsoft Corporation. All rights reserved.
C:\Users\Sales2> telnet 192.168.5.80 23
```

After connecting to the Matrix Switcher via IP address. Type "HELP" to preview the list of commands available.



```
ca. Telnet 192.168.5.140
telnet-> help
A1~A8      : Switch Output A to 1~4
B1~B8      : Switch Output B to 1~4
C1~C8      : Switch Output C to 1~4
D1~D8      : Switch Output D to 1~4
ABCD...4~ABCD...4 : Switch output ABCD... to 1~4 at the same time
SETIP <IP> <SubNet> <GW> : Setting IP.SubNet.GateWay<Static IP>
RSTIP      : IP Configuration Was Reset To Factory Defaults<DHCP>
IPCONFIG   : Display the current IP config
  P0       : Power Off
  P1       : Power On
  I1~I4    : Switch all the output to 1~4
  ST       : Display the current matrix state and firmware version
  RS       : System Reset to H8
  EM       : Setting EDID MODE. 1-STD 2-TU.
  ?        : Display all available commands
  QUIT     : Exit

telnet-> _
```

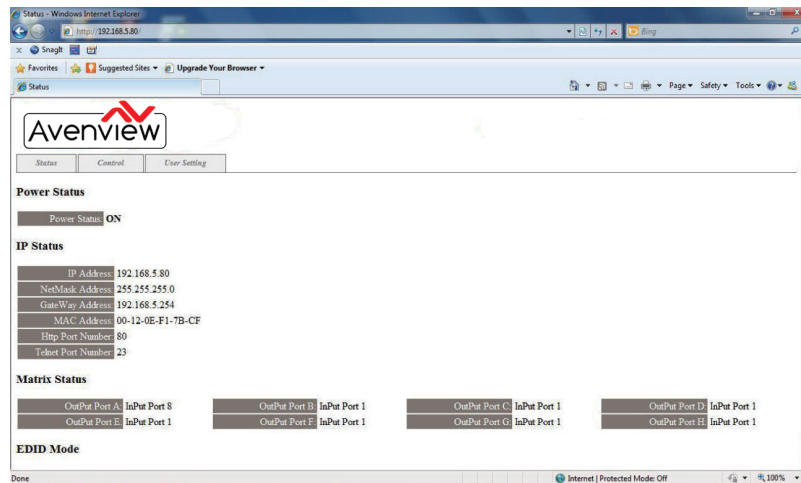
Type "IPCONFIG" To confirm all IP configurations.  
To **RESET** the IP ADDRESS; type "RSTIP" /To **SET** a STATIC IP, type"SETIP"  
(For a full list of commands, see Section 1.3).

**Note:** *Commands will not be executed unless followed by a carriage return. Commands are case-insensitive. If the IP is changed then the IP Address required for Telnet access will also change accordingly.*

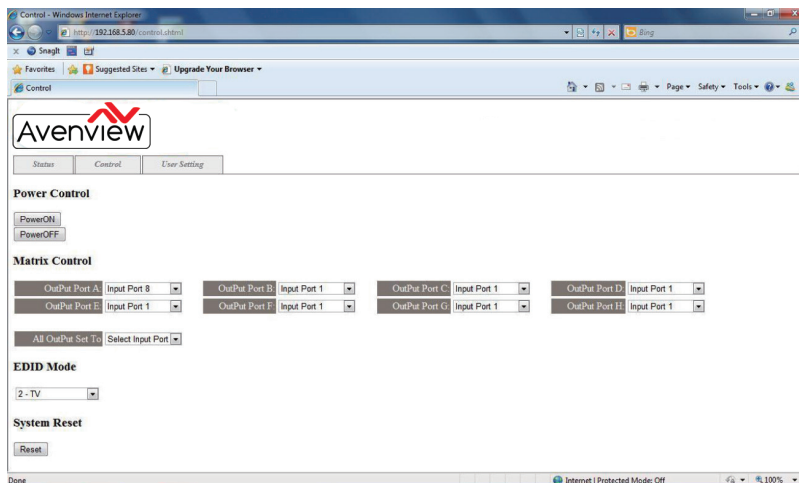


## 4. WEB GUI CONTROL

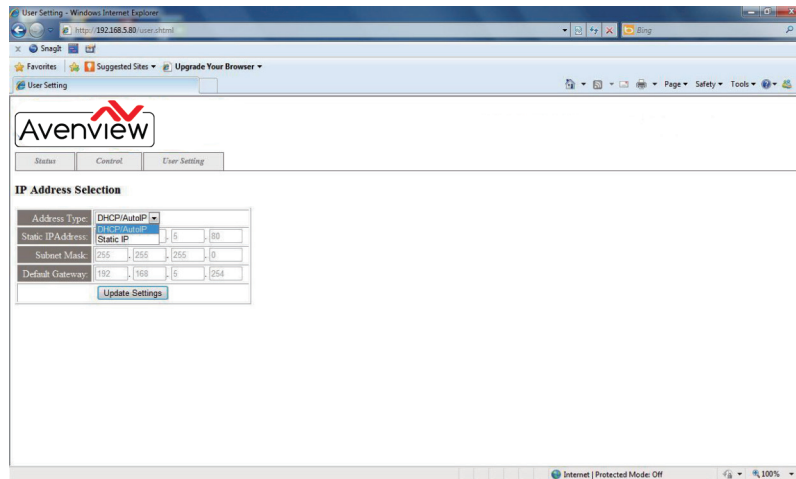
On a PC/Laptop that is connected to the same active network as the Matrix, open a web browser and type device's IP address on the web address entry bar. The browser will display the device's status, control and User setting pages.



Click on the 'Control' tab to control power, input/output ports, EDID and reset mode



Clicking on the 'User Setting' tab allows you to reset the IP configuration. The system will ask for a reboot of the device every time any of the settings are changed. The IP address needed to access the Web GUI control will also need to be changed accordingly on the web address entry bar.





AV Connectivity, Distribution And Beyond...

## TECHNICAL SUPPORT

### CONTACT US



Phone: 1 (866) 508 0269



Email: [support@avenview.com](mailto:support@avenview.com)



**USA Head Office** Avenview Corp. 275 Woodward Avenue Kenmore, NY 14217

#### **USA Head Office**

Office Avenview  
Corp. 275 Woodward Avenue  
Kenmore, NY 14217  
Phone: +1.716.218.4100 ext223  
Fax: +1.866.387-8764  
Email: [info@avenview.com](mailto:info@avenview.com)

#### **Canada Sales**

Avenview  
151 Esna Park Drive, Unit 11 & 12  
Markham, Ontario, L3R 3B1  
Phone: 1.905.907.0525  
Fax: 1.866.387.8764  
Email: [info@avenview.com](mailto:info@avenview.com)

#### **Avenview Europe**

Avenview Europe  
Demkaweg 11  
3555 HW Utrecht  
Netherlands  
Phone: +31 (0)85 2100- 613  
Email: [info@avenview.eu](mailto:info@avenview.eu)

#### **Avenview Hong Kong**

Unit 8, 6/F, Kwai Cheong Centre,  
50 Kwai Cheong Road,  
Kwai Chung, N.T.  
Hong Kong  
Phone: 852-3575 9585  
Email: [wenxi@avenview.com](mailto:wenxi@avenview.com)

#### **Disclaimer**

While every precaution has been taken in the preparation of this document, Avenview Inc. assumes no liability with respect to the operation or use of Avenview hardware, software or other products and documentation described herein, for any act or omission of Avenview concerning such products or this documentation, for any interruption of service, loss or interruption of business, loss of anticipatory profits, or for punitive, incidental or consequential damages in connection with the furnishing, performance, or use of the Avenview hardware, software, or other products and documentation provided herein.

Avenview Inc. reserves the right to make changes without further notice to a product or system described herein to improve reliability, function or design. With respect to Avenview products which this document relates, Avenview disclaims all express or implied warranties regarding such products, including but not limited to, the implied warranties of merchantability, fitness for a particular purpose, and non-infringement.