



Control Your Video

**VIDEO WALLS VIDEO PROCESSORS
VIDEO MATRIX SWITCHES
EXTENDERS SPLITTERS WIRELESS
CABLES & ACCESSORIES**

Control Commands



Model #: SW-HBT-C6POE-4X8E

© 2015 Avenview Inc. All rights reserved.

The contents of this document are provided in connection with Avenview Inc. ("Avenview") products. Avenview makes no representations or warranties with respect to the accuracy or completeness of the contents of this publication and reserves the right to make changes to specifications and product descriptions at any time without notice. No license, whether express, implied, or otherwise, to any intellectual property rights is granted by this publication. Except as set forth in Avenview Standard Terms and Conditions of Sale, Avenview assumes no liability whatsoever, and claims any express or implied warranty, relating to its products are strictly prohibited.

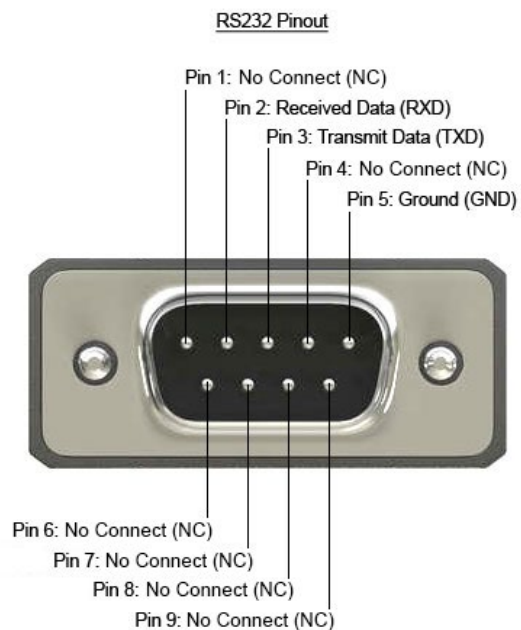
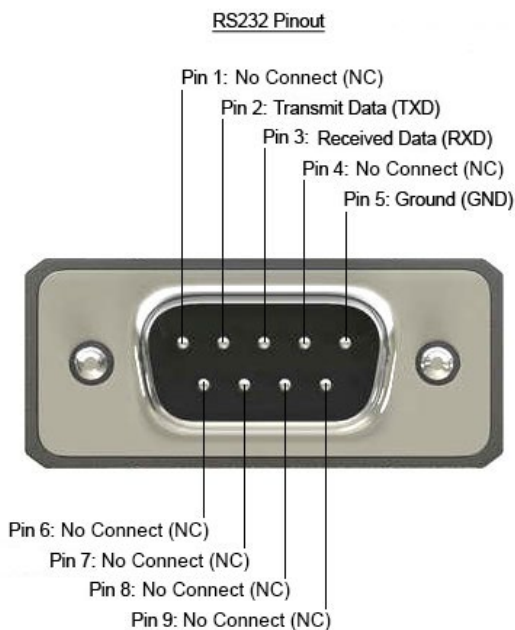
SECTION I: COMMAND PROTOCOL FORMAT (RS-232 SERIAL PORT)

I. SERIAL PORT SETTING

- Baud Rate: 19200 bps
- Data Bit: 8 bits
- Parity: None
- Flow Control: None
- Stop Bit: 1

RS-232 Wiring (Straight Connection)

SW-HBT-4K-4X4E		Remote Controller(PC)	
PIN	Assignment	PIN	De finition
1	NC	1	NC
2	TxD	2	RX
3	RxD	3	TX
4	NC	4	NC
5	GND	5	GND
6	NC	6	NC
7	NC	7	NC
8	NC	8	NC
9	NC	9	NC



2. RS-232 & TELNET COMMANDS

All commands will be not executed unless followed with a carriage return (0x0D) and commands are case sensitive.

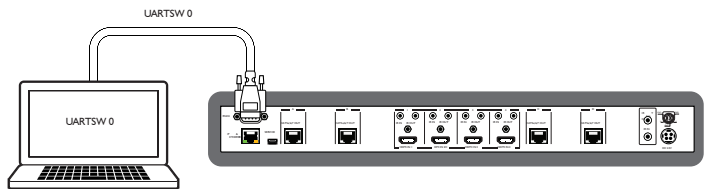
Command	Active
A1~A4	Switch Output A to 1~4
B1~B4	Switch Output B to 1~4
C1~C4	Switch Output C to 1~4
D1~D4	Switch Output D to 1~4
E1~E4	Switch output E to 1~4
F1~F4	Switch output F to 1~4
G1~G4	Switch output G to 1~4
H1~H4	Switch output H to 1~4
A0~H0	Switch output A to F mute
ABCD...1~ABCD...4	Setting IP. SubNet. GateWay (Static IP)
ABCD...0	IP Configuration Was Reset To Factory Defaults <DHCP>
SETIP <IP> <SubNet> <GW>	Setting IP. SubNet. GateWay (Static IP)
RSTIP	IP Configuration Was Reset To Factory Defaults <DHCP>
IPCONFIG	Display the Current IP Config
P0	Power OFF
P1	Power ON
I1~I4	Switch all the output to 1~4
I0	Mute all the output
ST	Display the current matrix status and F/W version
RS	System Reset to A1, B1, C2, D2, E3, F3, G4, H4
EM	Setting EDID MODE. 1-STD 2-TV
?	Display all the available commands
UARTBAUD1~4	Display baud rate setting from 1~6 1: 9600bps 2: 14400bps 3: 19200bps 4: 38400bps 5: 57600bps 6: 115200bps



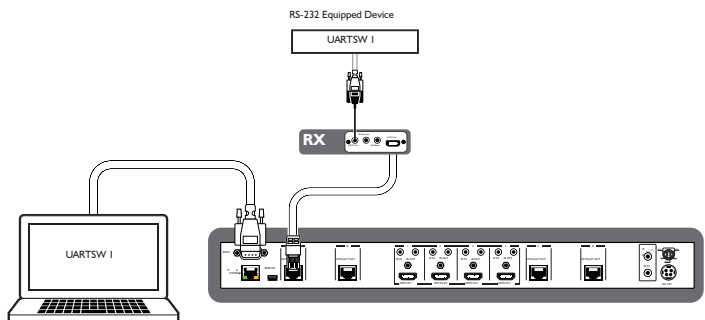
Command	Active
UARTBAUD2	Set output B's baud rate from 1~6
UARTBAUD4	Set output D's baud rate from 1~6
UARTBAUD6	Set output H's baud rate from 1~6
UARTBAUD8	Set output H's baud rate from 1~6
UARTSW?	Display output's UART status
UARTSW2	Display all the output's UART baud
UARTSW4	Switch Output A B C D... to 1~4 at the same time
UARTSW6	Setting IP. SubNet. GateWay (Static IP)
UARTSW8	IP Configuration Was Reset To Factory Defaults <DHCP>
Quit	Display the Current IP Config
P0	Power OFF



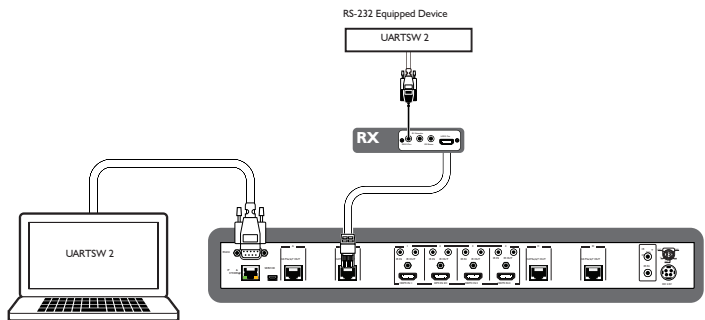
2. RS-232 UART Command Illustration Diagram



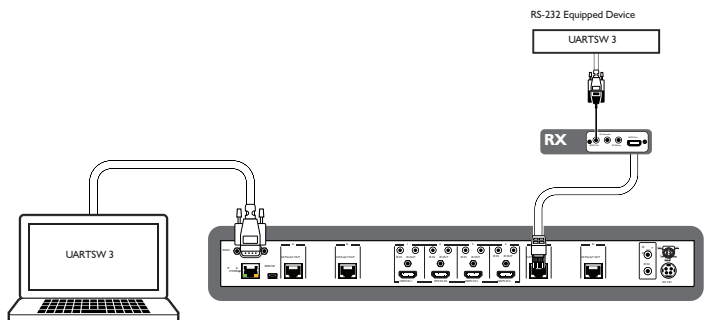
Note: This command allows RS-232 to control the Matrix.



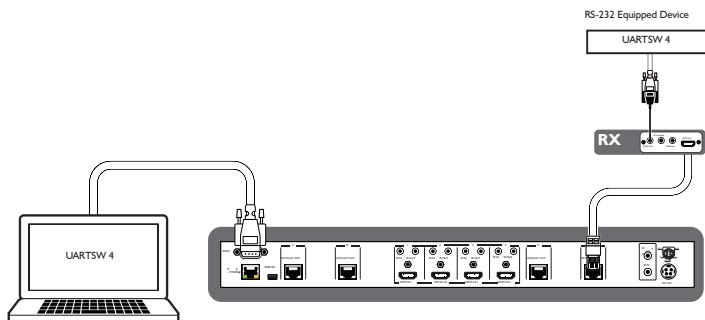
Note: This command allows RS-232 to control the RS-232 device connected to output A's Receiver.



Note: This command allows RS-232 to control the RS-232 device connected to output B's Receiver.



Note: This command allows RS-232 to control the RS-232 device connected to output C's Receiver.



Note: This command allows RS-232 to control the RS-232 device connected to output D's Receiver.



3. TELNET CONTROL

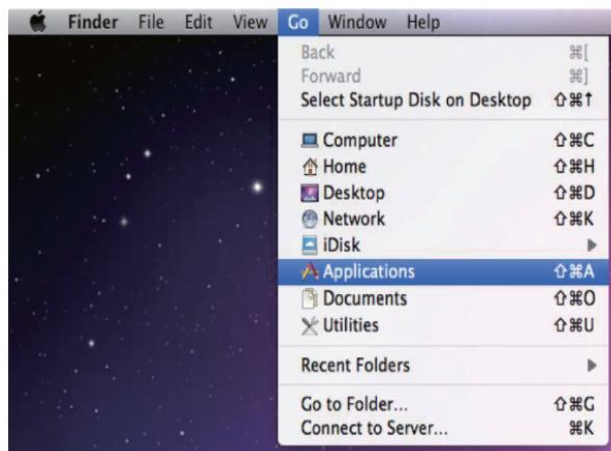
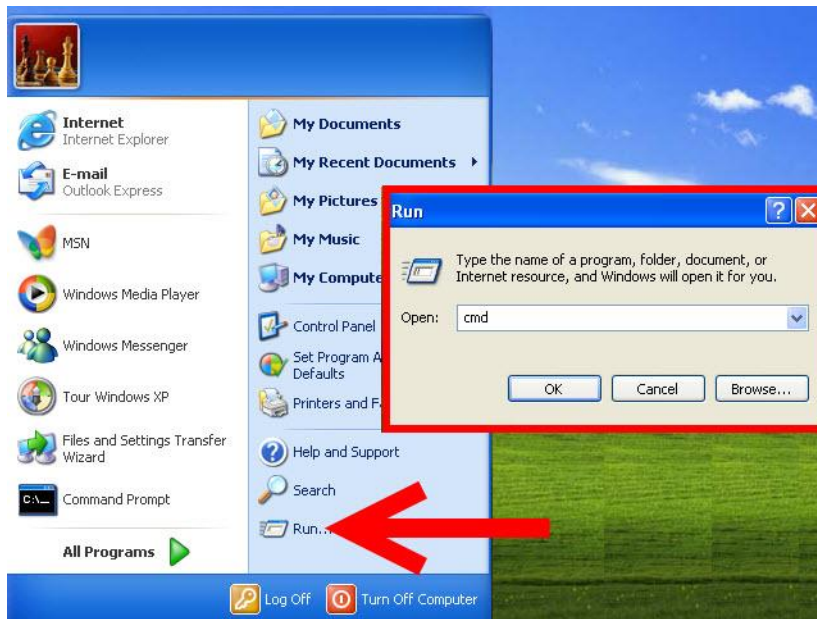
Using TCP/IP protocol, sent to Port 23 for Telnet communication.

The user can confirm from the OSD menu or through RS-232 command to check Telnet connection behavior.

To use the telnet control, please ensure that both the Matrix (via the 'LAN /CONTROL' port) and the PC/Laptop are connected to the active networks not directly connected.

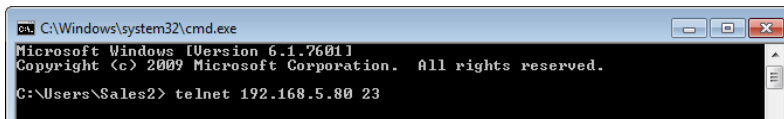
To access the telnet control in Windows 7, click on the 'Start' menu and type "cmd" in the Search field then press enter. Under Windows XP go to the 'Start' menu and click on "Run", type "cmd" with then press enter.

Under Mac OS X, go to Go→Applications→Utilities→Terminal See below for reference.



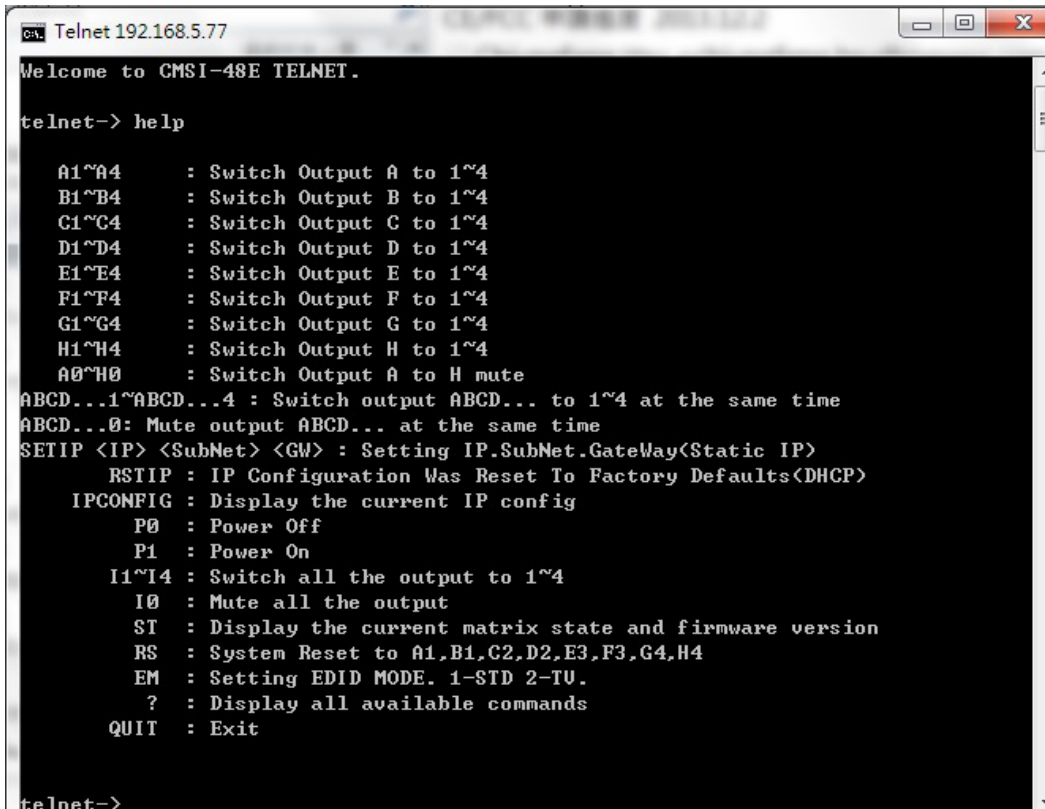
In the CMD window proceed to type "telnet", then the IP address of the unit and "23", then hit enter/return.

Note: The IP address of the Matrix can be displayed on the device's LCM monitor by pressing the Menu button twice.



```
C:\Windows\system32\cmd.exe
Microsoft Windows [Version 6.1.7601]
Copyright (c) 2009 Microsoft Corporation. All rights reserved.
C:\Users\Sales2> telnet 192.168.5.80 23
```

After connecting to the Matrix Switcher via IP address. Type "HELP" to preview the list of commands available.



```

Telnet 192.168.5.77
Welcome to CMSI-48E TELNET.

telnet-> help

A1~A4      : Switch Output A to 1~4
B1~B4      : Switch Output B to 1~4
C1~C4      : Switch Output C to 1~4
D1~D4      : Switch Output D to 1~4
E1~E4      : Switch Output E to 1~4
F1~F4      : Switch Output F to 1~4
G1~G4      : Switch Output G to 1~4
H1~H4      : Switch Output H to 1~4
A0~H0      : Switch Output A to H mute
ABCD...1~ABCD...4 : Switch output ABCD... to 1~4 at the same time
ABCD...0: Mute output ABCD... at the same time
SETIP <IP> <SubNet> <GW> : Setting IP.SubNet.GateWay<Static IP>
RSTIP : IP Configuration Was Reset To Factory Defaults<DHCP>
IPCONFIG : Display the current IP config
  P0 : Power Off
  P1 : Power On
I1~I4 : Switch all the output to 1~4
  I0 : Mute all the output
  ST : Display the current matrix state and firmware version
  RS : System Reset to A1,B1,C2,D2,E3,F3,G4,H4
  EM : Setting EDID MODE. 1-STD 2-TU.
  ? : Display all available commands
QUIT : Exit

telnet->
```

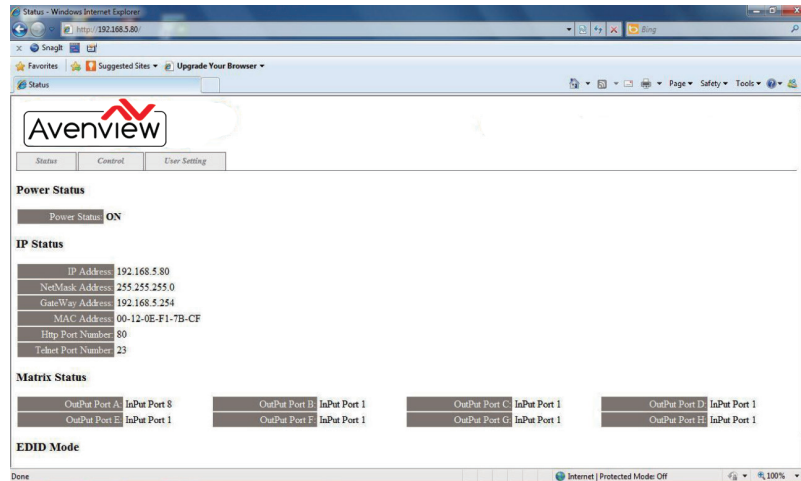
Type "IPCONFIG" To confirm all IP configurations.
To **RESET** the IP ADDRESS; type "RSTIP" /To **SET** a STATIC IP, type "SETIP"
(For a full list of commands, see Section 1.3).

Note: Commands will not be executed unless followed by a carriage return. Commands are case-insensitive. If the IP is changed then the IP Address required for Telnet access will also change accordingly.

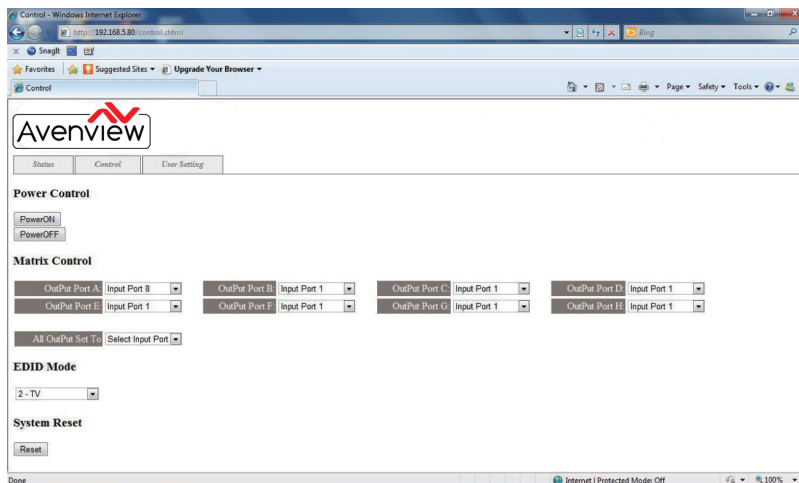


4. WEB GUI CONTROL

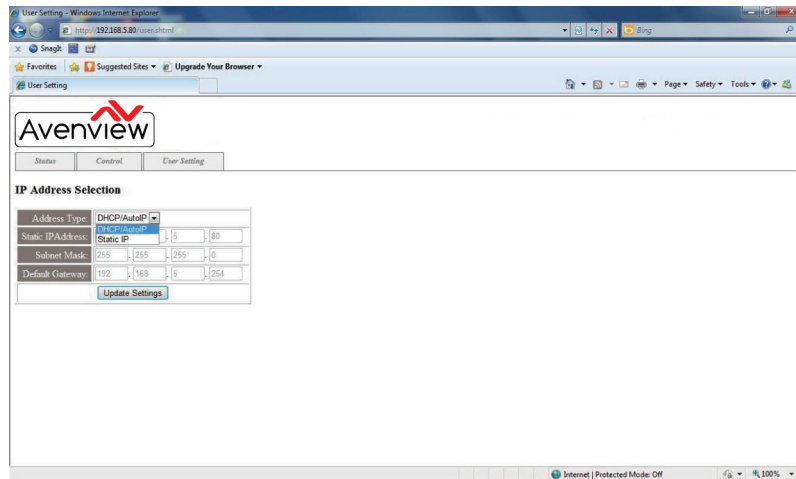
On a PC/Laptop that is connected to the same active network as the Matrix, open a web browser and type device's IP address on the web address entry bar. The browser will display the device's status, control and User setting pages.



Click on the 'Control' tab to control power, input/output ports, EDID and reset mode



Clicking on the 'User Setting' tab allows you to reset the IP configuration. The system will ask for a reboot of the device every time any of the settings are changed. The IP address needed to access the Web GUI control will also need to be changed accordingly on the web address entry bar.





Control Your Video

TECHNICAL SUPPORT

CONTACT US



Phone: 1 (866) 508 0269



Email: support@avenview.com



USA Head Office Avenview Corp. 275 Woodward Avenue Kenmore, NY 14217

USA Head Office

Office Avenview
Corp. 275 Woodward Avenue
Kenmore, NY 14217
Phone: +1.716.218.4100 ext223
Fax: +1.866.387-8764
Email: info@avenview.com

Canada Sales

Avenview
151 Esna Park Drive, Unit 11 & 12
Markham, Ontario, L3R 3B1
Phone: 1.905.907.0525
Fax: 1.866.387.8764
Email: info@avenview.com

Avenview Europe

Avenview Europe
Demkaweg 11
3555 HW Utrecht
Netherlands
Phone: +31 (0)85 2100- 613
Email: info@avenview.eu

Avenview Hong Kong

Unit 8, 6/F, Kwai Cheong Centre,
50 Kwai Cheong Road,
Kwai Chung, N.T.
Hong Kong
Phone: 852-3575 9585
Email: wenxi@avenview.com

Disclaimer

While every precaution has been taken in the preparation of this document, Avenview Inc. assumes no liability with respect to the operation or use of Avenview hardware, software or other products and documentation described herein, for any act or omission of Avenview concerning such products or this documentation, for any interruption of service, loss or interruption of business, loss of anticipatory profits, or for punitive, incidental or consequential damages in connection with the furnishing, performance, or use of the Avenview hardware, software, or other products and documentation provided herein.

Avenview Inc. reserves the right to make changes without further notice to a product or system described herein to improve reliability, function or design. With respect to Avenview products which this document relates, Avenview disclaims all express or implied warranties regarding such products, including but not limited to, the implied warranties of merchantability, fitness for a particular purpose, and non-infringement.