



Control Your Video

**VIDEO WALLS VIDEO PROCESSORS
VIDEO MATRIX SWITCHES
EXTENDERS SPLITTERS WIRELESS
CABLES & ACCESSORIES**

Control Commands



Model #: SW-HBT4K-C6-8X8E

© 2013 Avenview Inc. All rights reserved.

The contents of this document are provided in connection with Avenview Inc. ("Avenview") products. Avenview makes no representations or warranties with respect to the accuracy or completeness of the contents of this publication and reserves the right to make changes to specifications and product descriptions at any time without notice. No license, whether express, implied, or otherwise, to any intellectual property rights is granted by this publication. Except as set forth in Avenview Standard Terms and Conditions of Sale, Avenview assumes no liability whatsoever, and claims any express or implied warranty, relating to its products are strictly prohibited.

SECTION I: COMMAND PROTOCOL FORMAT (RS-232 SERIAL PORT)

I. SERIAL PORT SETTING

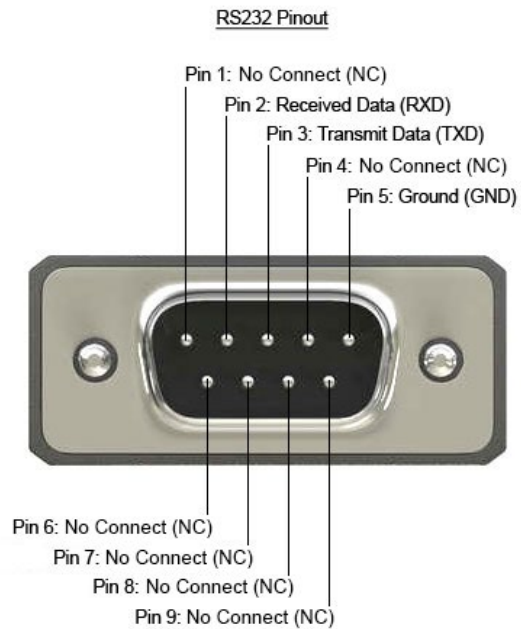
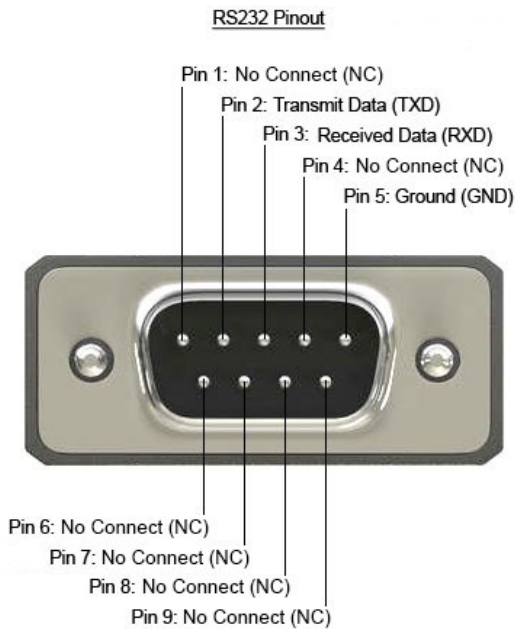
- Baud Rate: 19200 bps
- Data Bit: 8 bits
- Parity: None
- Flow Control: None
- Stop Bit: 1

RS-232 Wiring (Cross Cable Connection)

SW-HBT-4K-8X8E	
PIN	Assignment
1	NC
2	TxD
3	RxD
4	NC
5	GND
6	NC
7	NC
8	NC
9	NC

→
←

Remote Controller(PC)	
PIN	De finition
1	NC
2	RxD
3	TxD
4	NC
5	GND
6	NC
7	NC
8	NC
9	NC



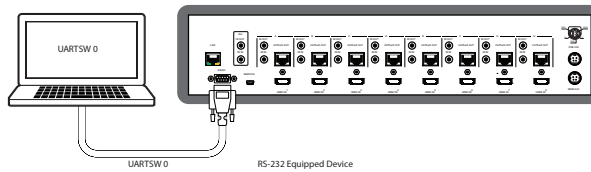
2. RS-232 & TELNET COMMANDS

All commands will be not executed unless followed with a carriage return (0x0D) and commands are case sensitive.

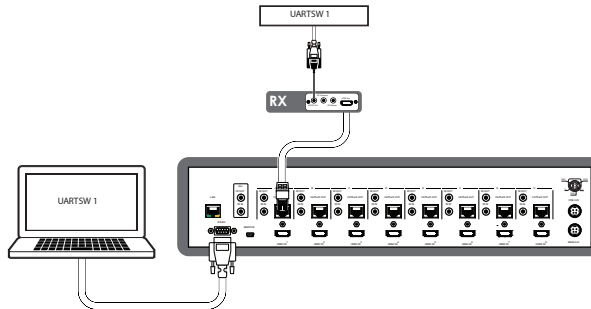
Command	Active
A1~A8	Switch Output A to 1~8
B1~B8	Switch Output B to 1~8
C1~C8	Switch Output C to 1~8
D1~D8	Switch Output D to 1~8
E1~E8	Switch Output E to 1~8
F1~F8	Switch Output F to 1~8
G1~G8	Switch Output G to 1~8
H1~H8	Switch Output H to 1~8
ABCD...1~ABCD...8	Switch Output A B C D... to 1~8 at the same time
SETIP <IP> <SubNet> <GW>	Setting IP. SubNet. GateWay (Static IP)
RSTIP	IP Configuration Was Reset To Factory Defaults <DHCP>
IPCONFIG	Display the Current IP Config
P0	Power OFF
P1	Power ON
STORE 01~08	Store current I/O position (01~08)
PRESET 01~08	Recall current I/O position (01~08)
SHOW 01~08	Show current I/O position (01~08)
NAME NI N2	Name the stored port NI (01~08) no more than 8 characters, N2 (ABCDEFGH)
I1~I8	Switch all the Output to 1~8
ST	Display the current matrix status and F/W version
RS	System Reset to A1, B2, C3, D4, E5, F6, G7, H8
EM	Setting EDID MODE. 1-STD 2-TV
UARTBAUD1~8	Set output A~D's uart baud rate from 1~6 1: 9600bps 2: 14400bps 3: 19200bps 4: 38400bps 5: 57600bps 6: 115200bps
UARTSW1~8	Switch output's UART to A~H and allow Matrix to send commands to Receiver's connected RS-232 device.
UARTSW0	Switch output's UART to MCU. Restoring RS-232 control to the Receiver output back to Matrix.
UARTBAUD?	Display all the outputs UART baud
UARTSW	Display the UART switching state
?	Display all the available commands
Quit	Exit(for telnet only)



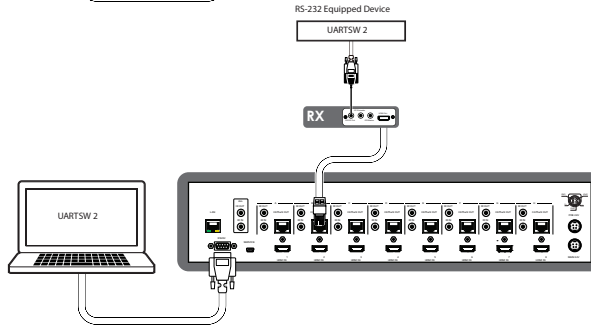
2.1 RS-232 UART Command Illustration Diagram



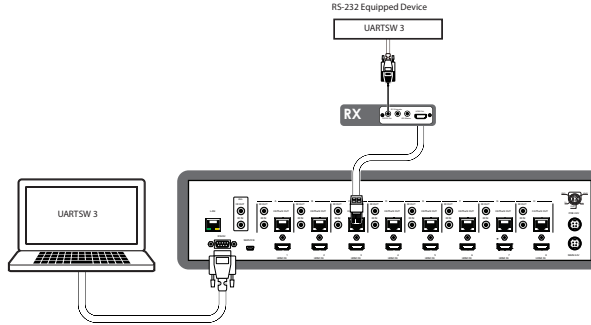
Note: This command allows RS-232 to control the Matrix.



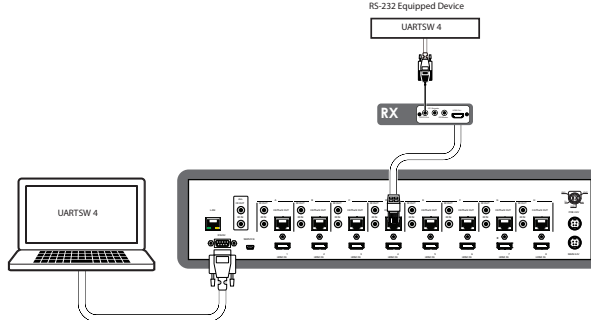
Note: This command allows RS-232 to control the RS-232 device connected to output A's Receiver.



Note: This command allows RS-232 to control the RS-232 device connected to output B's Receiver.



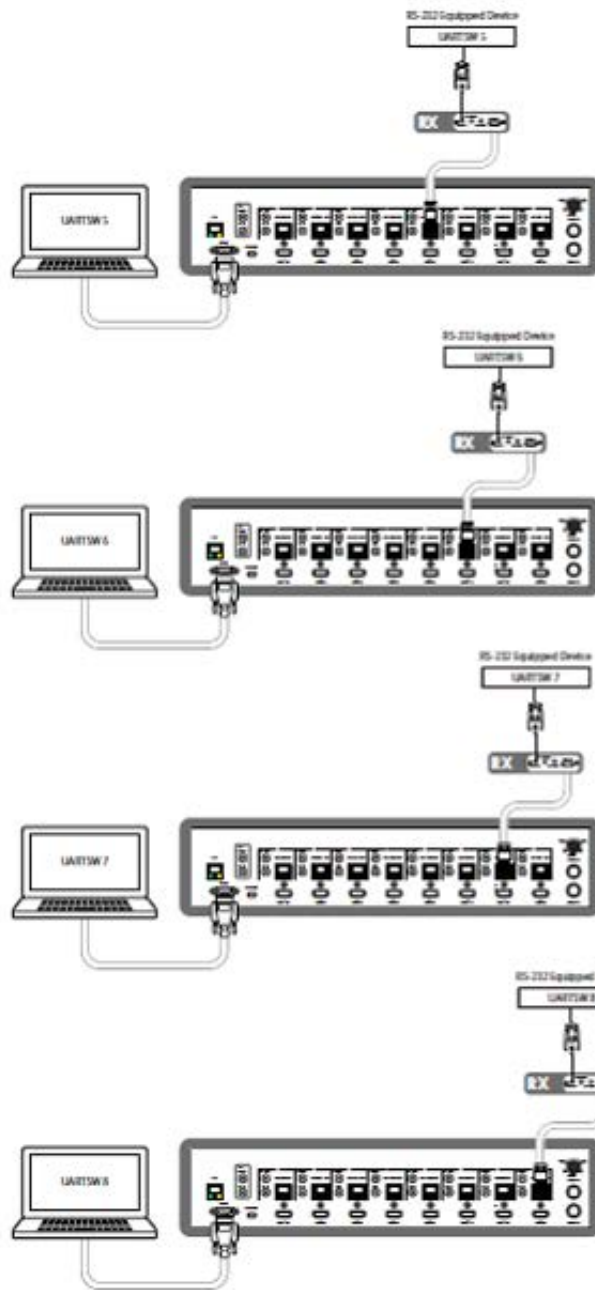
Note: This command allows RS-232 to control the RS-232 device connected to output C's Receiver.



Note: This command allows RS-232 to control the RS-232 device connected to output D's Receiver.



2.2 RS-232 UART Command Illustration Diagram



Note: This command allows RS-232 to control the RS-232 device connected to output E's Receiver.

Note: This command allows RS-232 to control the RS-232 device connected to output F's Receiver.

Note: This command allows RS-232 to control the RS-232 device connected to output G's Receiver.

Note: This command allows RS-232 to control the RS-232 device connected to output H's Receiver.

3. TELNET CONTROL

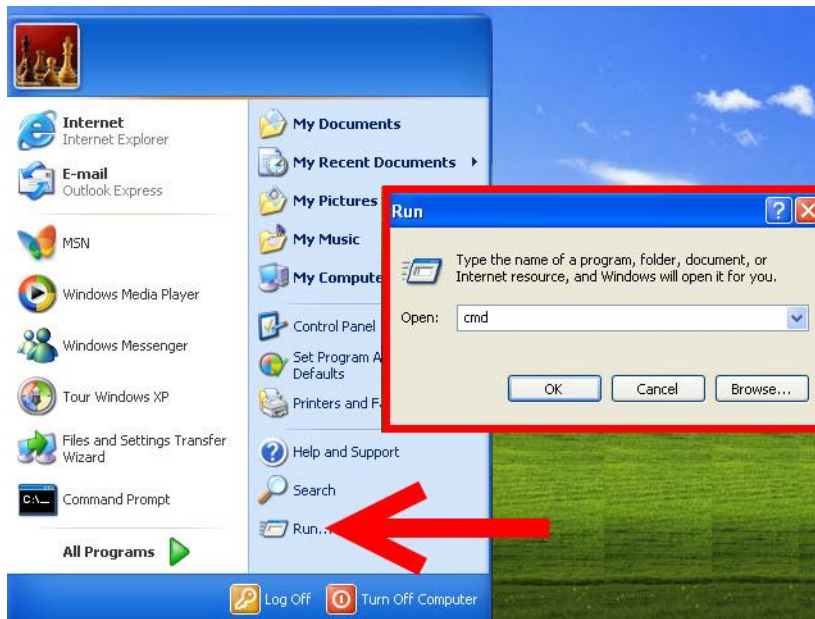
Using TCP/IP protocol, sent to Port 23 for Telnet communication.

The user can confirm from the OSD menu or through RS-232 command to check Telnet connection behavior.

To use the telnet control, please ensure that both the Matrix (via the 'LAN /CONTROL' port) and the PC/Laptop are connected to the active networks not directly connected.

To access the telnet control in Windows 7, click on the 'Start' menu and type "cmd" in the Search field then press enter. Under Windows XP go to the 'Start' menu and click on "Run", type "cmd" with then press enter.

Under Mac OS X, go to Go→Applications→Utilities→Terminal See below for reference.



In the CMD window proceed to type "telnet", then the IP address of the unit and "23", then hit enter/return.

Note: The IP address of the Matrix can be displayed on the device's LCM monitor by pressing the Menu button twice.

```
C:\Windows\system32\cmd.exe
Microsoft Windows [Version 6.1.7601]
Copyright (c) 2009 Microsoft Corporation. All rights reserved.
C:\Users\Sales2> telnet 192.168.5.80 23
```

After connecting to the Matrix Switcher via IP address. Type "HELP" to preview the list of commands available.

```
Telnet 192.168.5.139
Welcome to Avenview Matrix Telnet
telnet-> help
      P0 : Power Off
      P1 : Power On
      RESET : System Reset to 0111,0212,0313,0414,0515...
      0xx1xx(x:01~8) : Output 0~8 set to Input 1~8
      ALLOUT xx(x:01~8) : All Output set to Input 1~8
      MUTE xx(x:0~8) : Video mute command at output interface
      UNMUTE xx(x:0~8) : Video unmute command at output interface
      MUTEALL : Mute all outputs
      UNMUTEALL : Unmute all outputs
      SHOWMUTE : Show mute status of all output(0=not muted,1=muted)
      RDMUTE xx(x:0~8) : Read MUTE Status at Output
      HPDLOW xx(x:01~8) : Pull the Hot-Plug-Detect signal to 'LOW'
      HPDHIGH xx(x:01~8) : Pull the Hot-Plug-Detect signal to 'HIGH'
      HPDLOW ALL : Set All Input HPD to Low
      HPDHIGH ALL : Set All Input HPD to High
      SHOWHPD : Report ALL Input Hot-Plug-Detect signal status
      STATUSHPD x(x:1~8) : Show HPD status of input(x)
      SHOWTEMP : Show temperature sensor values y1, y2
      STATUSIN xx(x:01~8) : Report Input connection status
      STATUSOUT xx(x:0~8) : Report Output connection status
      STATUSALL : Report ALL Output connection status
      STATUSIEDID : Report ALL Input EDID mode&port
      SETEDIDMODE ii mm(ii:01~8 mm:1~3) : Set EDID mode(mm) to Input(ii)
      SETEDIDMODE ALL mm (mm=1~3) : The EDID mode(mm) of All Input(ii)
      SETEDIDPORT ii pp(ii:01~8 pp:01~8) : Set EDID Assigned Port(pp) to Input(ii)
      SETEDIDPORT ALL mm (pp=01-8) : The EDID of All Inports is assigned to Output
      pp
      ACTIVE : Report I/O active channels
      INDETECT : Input channels detect indicator
      OUTDETECT : Output channels detect indicator
      IPCONFIG : Display the current IP config
      SETIP <IP> <SubNet> <GW> : Setting IP.ShuNet.GateWay(Static IP)
      RSTIP : IP Configuration Was Reset To Factory Defaults(DHCP)
      SETIPADDR <IP> : Setting IP address
      SETSNMASK <SubNet> : Setting subnet mask
      SETGWADDR <GW> : Setting gateway IP address
      R
```

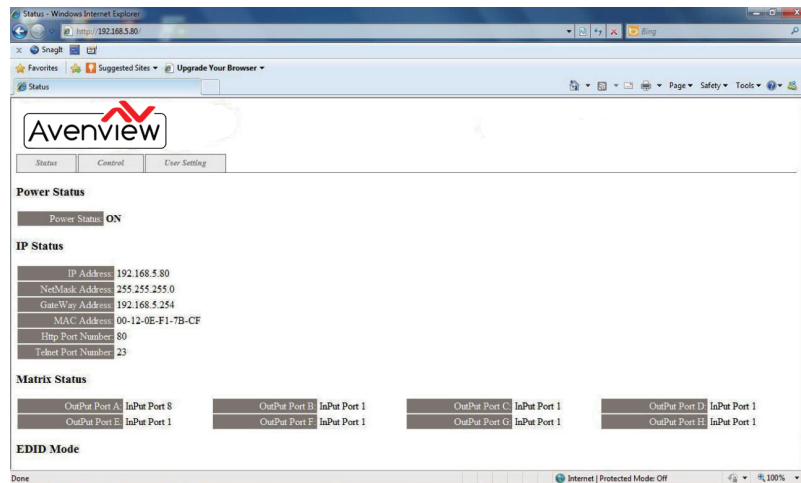
Type "IPCONFIG" To confirm all IP configurations.
To **RESET** the IP ADDRESS; type "RSTIP" /To **SET** a STATIC IP, type"SETIP"
(For a full list of commands, see Section 1.3).

Note: Commands will not be executed unless followed by a carriage return. Commands are case-insensitive. If the IP is changed then the IP Address required for Telnet access will also change accordingly.

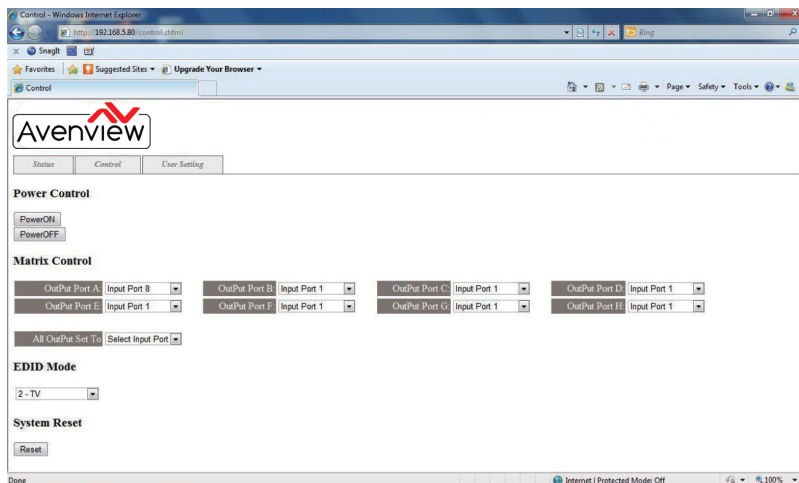


4. WEB GUI CONTROL

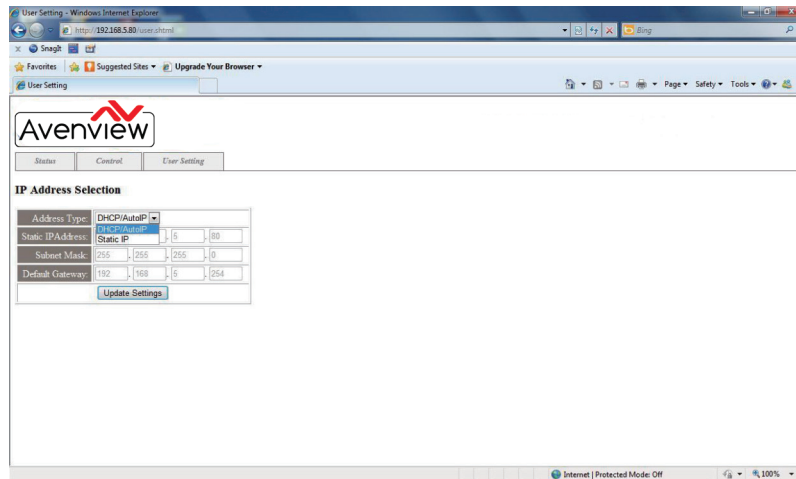
On a PC/Laptop that is connected to the same active network as the Matrix, open a web browser and type device's IP address on the web address entry bar. The browser will display the device's status, control and User setting pages.



Click on the 'Control' tab to control power, input/output ports, EDID and reset mode



Clicking on the 'User Setting' tab allows you to reset the IP configuration. The system will ask for a reboot of the device every time any of the settings are changed. The IP address needed to access the Web GUI control will also need to be changed accordingly on the web address entry bar.





AV Connectivity, Distribution And Beyond...

TECHNICAL SUPPORT

CONTACT US



Phone: 1 (866) 508 0269



Email: support@avenview.com



USA Head Office Avenview Corp. 275 Woodward Avenue Kenmore, NY 14217

USA Head Office

Office Avenview
Corp. 275 Woodward Avenue
Kenmore, NY 14217
Phone: +1.716.218.4100 ext223
Fax: +1.866.387-8764
Email: info@avenview.com

Canada Sales

Avenview
151 Esna Park Drive, Unit 11 & 12
Markham, Ontario, L3R 3B1
Phone: 1.905.907.0525
Fax: 1.866.387.8764
Email: info@avenview.com

Avenview Europe

Avenview Europe
Demkaweg 11
3555 HW Utrecht
Netherlands
Phone: +31 (0)85 2100- 613
Email: info@avenview.eu

Avenview Hong Kong

Unit 8, 6/F, Kwai Cheong Centre,
50 Kwai Cheong Road,
Kwai Chung, N.T.
Hong Kong
Phone: 852-3575 9585
Email: wenxi@avenview.com

Disclaimer

While every precaution has been taken in the preparation of this document, Avenview Inc. assumes no liability with respect to the operation or use of Avenview hardware, software or other products and documentation described herein, for any act or omission of Avenview concerning such products or this documentation, for any interruption of service, loss or interruption of business, loss of anticipatory profits, or for punitive, incidental or consequential damages in connection with the furnishing, performance, or use of the Avenview hardware, software, or other products and documentation provided herein.

Avenview Inc. reserves the right to make changes without further notice to a product or system described herein to improve reliability, function or design. With respect to Avenview products which this document relates, Avenview disclaims all express or implied warranties regarding such products, including but not limited to, the implied warranties of merchantability, fitness for a particular purpose, and non-infringement.