



Control Your Video...

**VIDEO WALLS VIDEO PROCESSORS  
VIDEO MATRIX SWITCHES  
EXTENDERS SPLITTERS WIRELESS  
CABLES & ACCESSORIES**

## Control Commands



**Model #: SW-HDM2-T4K-4X4**

© 2013 Avenview Inc. All rights reserved.

The contents of this document are provided in connection with Avenview Inc. ("Avenview") products. Avenview makes no representations or warranties with respect to the accuracy or completeness of the contents of this publication and reserves the right to make changes to specifications and product descriptions at any time without notice. No license, whether express, implied, or otherwise, to any intellectual property rights is granted by this publication. Except as set forth in Avenview Standard Terms and Conditions of Sale, Avenview assumes no liability whatsoever, and claims any express or implied warranty, relating to its products are strictly prohibited.

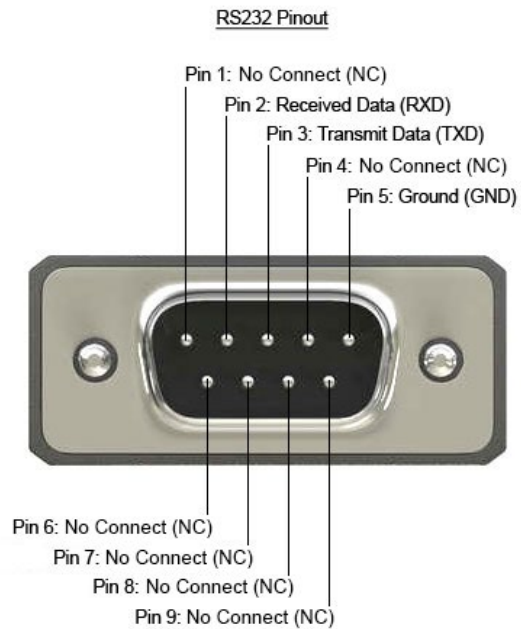
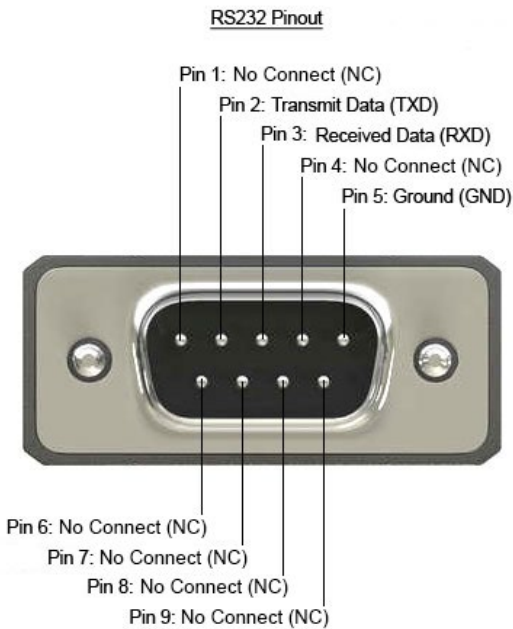
# SECTION I: COMMAND PROTOCOL FORMAT (RS-232 SERIAL PORT)

## I. SERIAL PORT SETTING

- Baud Rate: 115200
- bps - Data Bit: 8 bits
- Parity: None
- Flow Control: None
- Stop Bit: 1

### RS-232 Wiring (Straight Cable Connection)

SW-HDM2-T4K-4X4		Remote Controller(PC)	
PIN	Assignment	PIN	De finition
1	NC	1	NC
2	TxD	2	RxD
3	RxD	3	TxD
4	NC	4	NC
5	GND	5	GND
6	NC	6	NC
7	NC	7	NC
8	NC	8	NC
9	NC	9	NC



## 2. RS-232 & TELNET COMMANDS

### General:

Factory Reset                   A5 5B 08 0A 00 00 00 00 00 00 00 EE  
Reboot                         A5 5B 08 0D 00 00 00 00 00 00 00 EB

#### Status

A5 5B 01 04 01 00 00 00 00 00 00 FA       //INPUT1 5V Status  
A5 5B 01 05 01 00 00 00 00 00 00 F9       //OUTPUTA HPD Status  
A5 5B 01 04 02 00 00 00 00 00 00 F9       //INPUT2 5V Status  
A5 5B 01 05 02 00 00 00 00 00 00 F8       // OUTPUTB HPD Status  
A5 5B 01 04 03 00 00 00 00 00 00 F8       //INPUT3 5V Status  
A5 5B 01 05 03 00 00 00 00 00 00 F7       //OUTPUTC HPD Status  
A5 5B 01 04 04 00 00 00 00 00 00 F7       //INPUT4 5V Status  
A5 5B 01 05 04 00 00 00 00 00 00 F6       // OUTPUTD HPD Status

#### Enable Beep

    Disable                   A5 5B 06 01 F0 00 00 00 00 00 00 09  
    Enable                    A5 5B 06 01 0F 00 DD 00 00 00 00 0D

#### Power On/Off

Off                            A5 5B 08 0B F0 00 F0 00 00 00 00 0D  
On                             A5 5B 08 0B 0F 00 0F 00 00 00 00 CF

### EDID:

#### Set EDID XXX Mode to INI

1080P,Stereo Audio 2.0       A5 5B 03 02 01 F0 01 00 00 00 00 09  
1080P,Dobly/DTS 5.1         A5 5B 03 02 02 F0 01 00 00 00 00 08  
1080i,HD Audio 7.1          A5 5B 03 02 03 F0 01 00 00 00 00 07  
1080i,Stereo Audio 2.0       A5 5B 03 02 04 F0 01 00 00 00 00 06  
1080i,Dobly/DTS 5.1         A5 5B 03 02 05 F0 01 00 00 00 00 05  
1080i,HD Audio 7.1          A5 5B 03 02 06 F0 01 00 00 00 00 04  
3D,Stereo Audio 2.0          A5 5B 03 02 07 F0 01 00 00 00 00 03  
3D,Dobly/DTS 5.1            A5 5B 03 02 08 F0 01 00 00 00 00 02  
3D,HD Audio 7.1             A5 5B 03 02 09 F0 01 00 00 00 00 01  
4K2K30,444,Stereo Audio 2.0   A5 5B 03 02 0A F0 01 00 00 00 00 00  
4K2K30, 444, Dobly/DTS 5.1   A5 5B 03 02 0B F0 01 00 00 00 00 FF  
4K2K30, 444, HD Audio 7.1    A5 5B 03 02 0C F0 01 00 00 00 00 FE  
4K2K60,420,Stereo Audio 2.0   A5 5B 03 02 0D F0 01 00 00 00 00 FD  
4K2K60, 420,Dobly/DTS 5.1    A5 5B 03 02 0E F0 01 00 00 00 00 FC  
4K2K60, 420,HD Audio 7.1     A5 5B 03 02 0F F0 01 00 00 00 00 FB  
4K2K60, 444, Stereo Audio 2.0  A5 5B 03 02 10 F0 01 00 00 00 00 FA  
4K2K60, 444, Dobly/DTS 5.1    A5 5B 03 02 11 F0 01 00 00 00 00 F9  
4K2K60, 444, HD Audio 7.1     A5 5B 03 02 12 F0 01 00 00 00 00 F8



## EDID:

Set EDID XXX Mode to IN2

- 1080P,Stereo Audio 2.0
- 1080P,Dobly/DTS 5.1
- 1080i,HD Audio 7.1
- 1080i,Stereo Audio 2.0
- 1080i,Dobly/DTS 5.1
- 1080i,HD Audio 7.1
- 3D,Stereo Audio 2.0
- 3D,Dobly/DTS 5.1
- 3D,HD Audio 7.1
- 4K2K30,444,Stereo Audio 2.0
- 4K2K30, 444, Dobly/DTS 5.1
- 4K2K30, 444, HD Audio 7.1
- 4K2K60,420,Stereo Audio 2.0
- 4K2K60, 420,Dobly/DTS 5.1
- 4K2K60, 420,HD Audio 7.1
- 4K2K60, 444, Stereo Audio 2.0
- 4K2K60, 444, Dobly/DTS 5.1
- 4K2K60, 444, HD Audio 7.1

- A5 5B 03 02 01 F0 02 00 00 00 00 00 08
- A5 5B 03 02 02 F0 02 00 00 00 00 00 07
- A5 5B 03 02 03 F0 02 00 00 00 00 00 06
- A5 5B 03 02 04 F0 02 00 00 00 00 00 05
- A5 5B 03 02 05 F0 02 00 00 00 00 00 04
- A5 5B 03 02 06 F0 02 00 00 00 00 00 03
- A5 5B 03 02 07 F0 02 00 00 00 00 00 02
- A5 5B 03 02 08 F0 02 00 00 00 00 00 01
- A5 5B 03 02 09 F0 02 00 00 00 00 00 00
- A5 5B 03 02 0A F0 02 00 00 00 00 00 FF
- A5 5B 03 02 0B F0 02 00 00 00 00 00 FE
- A5 5B 03 02 0C F0 02 00 00 00 00 00 FD
- A5 5B 03 02 0D F0 02 00 00 00 00 00 FC
- A5 5B 03 02 0E F0 02 00 00 00 00 00 FB
- A5 5B 03 02 0F F0 02 00 00 00 00 00 FA
- A5 5B 03 02 10 F0 02 00 00 00 00 00 F9
- A5 5B 03 02 11 F0 02 00 00 00 00 00 F8
- A5 5B 03 02 12 F0 02 00 00 00 00 00 F7

## EDID:

Set EDID XXX Mode to IN3

- 1080P,Stereo Audio 2.0
- 1080P,Dobly/DTS 5.1
- 1080i,HD Audio 7.1
- 1080i,Stereo Audio 2.0
- 1080i,Dobly/DTS 5.1
- 1080i,HD Audio 7.1
- 3D,Stereo Audio 2.0
- 3D,Dobly/DTS 5.1
- 3D,HD Audio 7.1
- 4K2K30,444,Stereo Audio 2.0
- 4K2K30, 444, Dobly/DTS 5.1
- 4K2K30, 444, HD Audio 7.1
- 4K2K60,420,Stereo Audio 2.0
- 4K2K60, 420,Dobly/DTS 5.1
- 4K2K60, 420,HD Audio 7.1
- 4K2K60, 444, Stereo Audio 2.0
- 4K2K60, 444, Dobly/DTS 5.1
- 4K2K60, 444, HD Audio 7.1

- A5 5B 03 02 01 F0 03 00 00 00 00 00 08
- A5 5B 03 02 02 F0 03 00 00 00 00 00 07
- A5 5B 03 02 03 F0 03 00 00 00 00 00 06
- A5 5B 03 02 04 F0 03 00 00 00 00 00 05
- A5 5B 03 02 05 F0 03 00 00 00 00 00 04
- A5 5B 03 02 06 F0 03 00 00 00 00 00 03
- A5 5B 03 02 07 F0 03 00 00 00 00 00 02
- A5 5B 03 02 08 F0 03 00 00 00 00 00 01
- A5 5B 03 02 09 F0 03 00 00 00 00 00 00
- A5 5B 03 02 0A F0 03 00 00 00 00 00 FF
- A5 5B 03 02 0B F0 03 00 00 00 00 00 FE
- A5 5B 03 02 0C F0 03 00 00 00 00 00 FD
- A5 5B 03 02 0D F0 03 00 00 00 00 00 FC
- A5 5B 03 02 0E F0 03 00 00 00 00 00 FB
- A5 5B 03 02 0F F0 03 00 00 00 00 00 FA
- A5 5B 03 02 10 F0 03 00 00 00 00 00 F9
- A5 5B 03 02 11 F0 03 00 00 00 00 00 F8
- A5 5B 03 02 12 F0 03 00 00 00 00 00 F7



**EDID:**

Set EDID XXX Mode to IN4

1080P,Stereo Audio 2.0

1080P,Dobly/DTS 5.1

1080i,HD Audio 7.1

1080i,Stereo Audio 2.0

1080i,Dobly/DTS 5.1

1080i,HD Audio 7.1

3D,Stereo Audio 2.0

3D,Dobly/DTS 5.1

3D,HD Audio 7.1

4K2K30,444,Stereo Audio 2.0

4K2K30, 444, Dobly/DTS 5.1

4K2K30, 444, HD Audio 7.1

4K2K60,420,Stereo Audio 2.0

4K2K60, 420,Dobly/DTS 5.1

4K2K60, 420,HD Audio 7.1

4K2K60, 444, Stereo Audio 2.0

4K2K60, 444, Dobly/DTS 5.1

4K2K60, 444, HD Audio 7.1

A5 5B 03 02 01 F0 04 00 00 00 00 00 08

A5 5B 03 02 02 F0 04 00 00 00 00 00 07

A5 5B 03 02 03 F0 04 00 00 00 00 00 06

A5 5B 03 02 04 F0 04 00 00 00 00 00 05

A5 5B 03 02 05 F0 04 00 00 00 00 00 04

A5 5B 03 02 06 F0 04 00 00 00 00 00 03

A5 5B 03 02 07 F0 04 00 00 00 00 00 02

A5 5B 03 02 08 F0 04 00 00 00 00 00 01

A5 5B 03 02 09 F0 04 00 00 00 00 00 00

A5 5B 03 02 0A F0 04 00 00 00 00 00 FF

A5 5B 03 02 0B F0 04 00 00 00 00 00 FE

A5 5B 03 02 0C F0 04 00 00 00 00 00 FD

A5 5B 03 02 0D F0 04 00 00 00 00 00 FC

A5 5B 03 02 0E F0 04 00 00 00 00 00 FB

A5 5B 03 02 0F F0 04 00 00 00 00 00 FA

A5 5B 03 02 10 F0 04 00 00 00 00 00 F9

A5 5B 03 02 11 F0 04 00 00 00 00 00 F8

A5 5B 03 02 12 F0 04 00 00 00 00 00 F7

**EDID:**

Set EDID XXX Mode to ALL

1080P,Stereo Audio 2.0

1080P,Dobly/DTS 5.1

1080i,HD Audio 7.1

1080i,Stereo Audio 2.0

1080i,Dobly/DTS 5.1

1080i,HD Audio 7.1

3D,Stereo Audio 2.0

3D,Dobly/DTS 5.1

3D,HD Audio 7.1

4K2K30,444,Stereo Audio 2.0

4K2K30, 444, Dobly/DTS 5.1

4K2K30, 444, HD Audio 7.1

4K2K60,420,Stereo Audio 2.0

4K2K60, 420,Dobly/DTS 5.1

4K2K60, 420,HD Audio 7.1

4K2K60, 444, Stereo Audio 2.0

4K2K60, 444, Dobly/DTS 5.1

4K2K60, 444, HD Audio 7.1

A5 5B 03 01 01 F0 00 00 00 00 00 00 0B

A5 5B 03 01 02 F0 00 00 00 00 00 00 0A

A5 5B 03 01 03 F0 00 00 00 00 00 00 09

A5 5B 03 01 04 F0 00 00 00 00 00 00 08

A5 5B 03 01 05 F0 00 00 00 00 00 00 07

A5 5B 03 01 06 F0 00 00 00 00 00 00 06

A5 5B 03 01 07 F0 00 00 00 00 00 00 05

A5 5B 03 01 08 F0 00 00 00 00 00 00 04

A5 5B 03 01 09 F0 00 00 00 00 00 00 03

A5 5B 03 01 0A F0 00 00 00 00 00 00 02

A5 5B 03 01 0B F0 00 00 00 00 00 00 01

A5 5B 03 01 0C F0 00 00 00 00 00 00 00

A5 5B 03 01 0D F0 00 00 00 00 00 00 FF

A5 5B 03 01 0E F0 00 00 00 00 00 00 FE

A5 5B 03 01 0F F0 00 00 00 00 00 00 FD

A5 5B 03 01 10 F0 00 00 00 00 00 00 FC

A5 5B 03 01 11 F0 00 00 00 00 00 00 FB

A5 5B 03 01 12 F0 00 00 00 00 00 00 FA



**Matrix:**

**OUTPUT A**

INI	A5 5B 02 03 01 00 01 00 00 00 00 00 F9
IN2	A5 5B 02 03 02 00 01 00 00 00 00 00 F8
IN3	A5 5B 02 03 03 00 01 00 00 00 00 00 F7
IN4	A5 5B 02 03 04 00 01 00 00 00 00 00 F6

**OUTPUT B**

INI	A5 5B 02 03 01 00 02 00 00 00 00 00 F8
IN2	A5 5B 02 03 02 00 02 00 00 00 00 00 F7
IN3	A5 5B 02 03 03 00 02 00 00 00 00 00 F6
IN4	A5 5B 02 03 04 00 02 00 00 00 00 00 F5

**OUTPUT C**

INI	A5 5B 02 03 01 00 03 00 00 00 00 00 F7
IN2	A5 5B 02 03 02 00 03 00 00 00 00 00 F6
IN3	A5 5B 02 03 03 00 03 00 00 00 00 00 F5
IN4	A5 5B 02 03 04 00 03 00 00 00 00 00 F4

**OUTPUT D**

INI	A5 5B 02 03 01 00 04 00 00 00 00 00 F6
IN2	A5 5B 02 03 02 00 04 00 00 00 00 00 F5
IN3	A5 5B 02 03 03 00 04 00 00 00 00 00 F4
IN4	A5 5B 02 03 04 00 04 00 00 00 00 00 F3





Control Your Video

## TECHNICAL SUPPORT

### CONTACT US



Phone: 1 (866) 508 0269



Email: [support@avenview.com](mailto:support@avenview.com)



#### **Avenview Canada**

151 Esna Park Drive, Unit 11-12  
Markham, ON L3R 3B1  
Phone: +1 905 907 0525  
Email: [info@avenview.com](mailto:info@avenview.com)  
Sales: [sales@avenview.com](mailto:sales@avenview.com)

#### **Avenview USA**

1100 Military Road  
Kenmore, NY 14217  
Phone: +1 716 218 4100 x223  
Fax: +1 866 387 8764 Email:  
[info@avenview.com](mailto:info@avenview.com)

#### **Avenview Europe**

Phone: +31 085 2100 613  
Email: [info@avenview.eu](mailto:info@avenview.eu)

#### **Avenview Asia**

Email: [wenxi@avenview.com.hk](mailto:wenxi@avenview.com.hk)  
Sales: [sales@avenview.com.hk](mailto:sales@avenview.com.hk)

#### **Disclaimer**

While every precaution has been taken in the preparation of this document, Avenview Inc. assumes no liability with respect to the operation or use of Avenview hardware, software or other products and documentation described herein, for any act or omission of Avenview concerning such products or this documentation, for any interruption of service, loss or interruption of business, loss of anticipatory profits, or for punitive, incidental or consequential damages in connection with the furnishing, performance, or use of the Avenview hardware, software, or other products and documentation provided herein.

Avenview Inc. reserves the right to make changes without further notice to a product or system described herein to improve reliability, function or design. With respect to Avenview products which this document relates, Avenview disclaims all express or implied warranties regarding such products, including but not limited to, the implied warranties of merchantability, fitness for a particular purpose, and non-infringement.