



Control Your Video

**VIDEO WALLS VIDEO PROCESSORS
VIDEO MATRIX SWITCHES
EXTENDERS SPLITTERS WIRELESS
CABLES & ACCESSORIES**

Control Commands



Model #: SC-MLT-DVI-4

© 2015 Avenview Inc. All rights reserved.

The contents of this document are provided in connection with Avenview Inc. ("Avenview") products. Avenview makes no representations or warranties with respect to the accuracy or completeness of the contents of this publication and reserves the right to make changes to specifications and product descriptions at any time without notice. No license, whether express, implied, or otherwise, to any intellectual property rights is granted by this publication. Except as set forth in Avenview Standard Terms and Conditions of Sale, Avenview assumes no liability whatsoever, and claims any express or implied warranty, relating to its products are strictly prohibited.

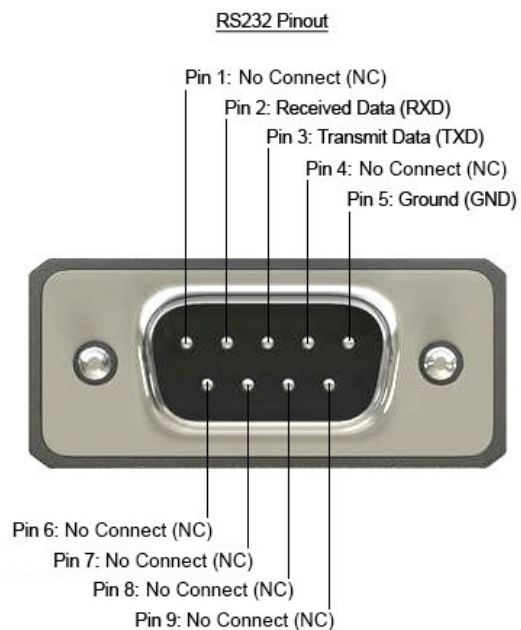
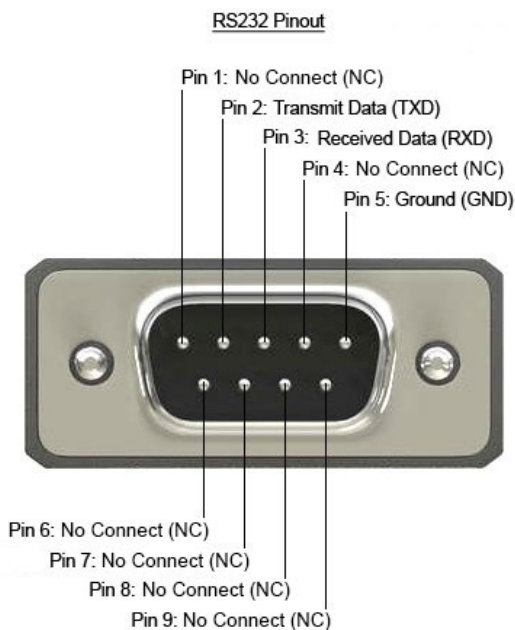
SECTION I: COMMAND PROTOCOL FORMAT (RS-232 SERIAL PORT)

I. SERIAL PORT SETTING

- Baud Rate: 9600 bps
- Data Bit: 8 bits
- Parity: None
- Flow Control: None
- Stop Bit: 1

RS-232 Wiring (Straight Connection)

SW-HBT-4K-4X4E		Remote Controller(PC)	
PIN	Assignment	PIN	De finition
1	NC	1	NC
2	TxD	2	RX
3	RxD	3	TX
4	NC	4	NC
5	GND	5	GND
6	NC	6	NC
7	NC	7	NC
8	NC	8	NC
9	NC	9	NC



2. RS-232 & TELNET COMMANDS

All commands will be not executed unless followed with a carriage return (0x0D) and commands are case sensitive.

COMMAND	DESCRIPTION
S SOURCE 1~4	1=DVI 2=VIDEO 3=S-VIDEO 4=PC
R SOURCE	Reports the numerical equivalent for SOURCE setting (as above)
S OUTPUT 0~25	0=Native 1=640×480 2=800×600 3=1024×76 4=1280×768 5=1360×768 6=1280×720 7=1280×800 8=1280×1024 9=1440×900 10=1400×1050 11=1680×1050 12=1600×1200 13=1920×1080 14=1920×1200 15=480p 16=720p@60 17=1080p@60 18=1080i@60 19=1080p@50 20=1080i@50 21=576p 22=720p@50 23=1080p@50 24=1080i@50 25=1080i@50
R OUTPUT	Reports the numerical equivalent for OUTPUT setting (as above)
S SIZE 0~6	0=OVERSCAN 1=FULL 2=BEST FIT 3=PAN SCAN 4=LETTER BOX 5=UNDER 2 6=UNDER 1
R SIZE	Reports the numerical equivalent for SIZE setting (as above)
S PC AUTO 1	Turn on (1) or off (0) the PC AUTO feature.
S CONTRAST 0~60	Sets up the numerical equivalent for CONTRAST setting (as left)
R CONTRAST	Reports the numerical equivalent for CONTRAST setting



COMMAND	DESCRIPTION	
S BRIGHTNESS 0~60	Sets up the numerical equivalent for BRIGHTNESS setting (as left)	
R BRIGHTNESS	Reports the numerical equivalent for BRIGHTNESS setting	
S HUE 0~60	Sets up the numerical equivalent for HUE setting (as left)	
R HUE	Reports the numerical equivalent for HUE setting	
S SATURATION 0~60	Sets up the numerical equivalent for SATURATION setting (as left)	
R SATURATION	Reports the numerical equivalent for SATURATION setting	
S SHARPNESS 0~30	Sets up the numerical equivalent for SHARPNESS setting (as left)	
R SHARPNESS	Reports the numerical equivalent for SHARPNESS setting	
S NR 0~3	0=OFF 1=LOW	2=MIDDLE 3=HIGH
R NR	Reports the numerical equivalent for the NOISE REDUCTION setting (as above)	
S AUDIO DELAY 0~3	0=OFF 1=40ms	2=110ms 3=150ms
R AUDIO DELAY	Reports the numeric equivalent for AUDIO DELAY setting (as above)	
S AUDIO MUTE 0/1	0=ON	1=MUTE
R AUDIO MUTE	Reports the numeric equivalent for AUDIO MUTE setting (as above)	
S KEY LOCK 0/1	0=ENABLE	1=DISABLE
R KEY LOCK	Reports the numeric equivalent for KEY LOCK setting (as above)	
FW	Checks the FIRMWARE version	

COMMAND	DESCRIPTION	
S RESET 1	Sets up the numerical equivalent for RESET setting (as left)	
S POWER 0/1	0=OFF	1=ON
R POWER	Reports the numeric equivalent for POWER setting (as above)	

Note: RS-232 commands will be not executed unless followed with a carriage return and LF. Commands are case-insensitive.



MAIN MENU	SUBMENU	3RD MENU	4TH MENU
DISPLAY	OUTPUT	Native	
		640×480 60	
		800×600 60	
		1024×768 60	
		1360×768 60	
		1280×720 60	
		1280×800 60	
		1280×1024 60	
		1440×900 60	
		1400×1050 60	
		1680×1050 60	
		1600×1200 60	
		1920×1080 60	
		1920×1200 60	
		720×480P 60	
		1280×720P 60*	
		1920×1080I 60	
		1920×1080P 60	
		720×576P 50	
		1280×720P 50	
1920×1080I 50			
1920×1080P 50			



MAIN MENU	SUBMENU	3RD MENU	4TH MENU	
DISPLAY	SIZE (For VIDEO input)	OVER SCAN		
		FULL*		
		BEST FIT		
		PAN SCAN		
		LETTER BOX		
	SIZE (For VIDEO input)	UNDER 2		
		UNDER 1		
	MODE INFO	INFO*		
		ON		
		OFF		
	PC (For PC input)	AUTO SETUP		No
				YES
		H_POSITION		0~60 (30)
		V_POSITION		0~60 (30)
		PHASE		
		CLOCK		
		WXGA/XGA		XGA*
				WXGA
		RESET		NO
				YES



MAIN MENU	SUBMENU	3RD MENU	4TH MENU	
COLOR	COLOR	R	0~1023 (512)	
		G	0~1023 (512)	
		B	0~1023 (512)	
		R OFFSET	0~1023 (512)	
		G OFFSET	0~1023 (512)	
		B OFFSET	0~1023 (512)	
	CONTRAST	0~60 (30)		
	BRIGHTNESS	0~60 (30)		
	HUE (For VIDEO input)	0~60 (30)		
	SATURATION (For VIDEO input)	0~60 (30)		
	SHARPNESS (For VIDEO input)	0~30 (0)		
	NR. (For VIDEO input)	OFF*		
		LOW		
MIDDLE				
HIGH				
AUDIO	VOLUME	0~100		
		DELAY (For L/R output)		OFF*
				40ms
				110ms
	SOUND	150ms		
		ON*		
	MUTE			

MAIN MENU	SUBMENU	3RD MENU	4TH MENU
SETUP	FACTORY RESET	NO*	
		YES	
	KEY LOCK	OFF*	
		ON	
	POWER SAVE	OFF*	
		ON	
INFORMATION	INPUT		
	OUTPUT		
	REVISION		

Note:

Items with Asterisk (*) are the Factory default settings.

Items in brackets are the default values for those settings



3. INPUT RESOLUTION SUPPORT

INPUT RESOLUTION	PC	DVI/HDMI	CV/SV
NTSC	-	-	✓
PAL	-	-	✓
640×480@60/72/75 Hz (VGA)	✓	✓	-
800×600@56/60/72/75 Hz (SVGA)	✓	✓	-
1024×768@60/70/75 Hz (XGA)	✓	✓	-
152×864 @75 Hz (XGA+)	✓	✓	-
1280×720@60 Hz	✓	✓	-
1280×768@60 Hz	✓	✓	-
1280×800@60 Hz	✓	✓	-
1280×960@60 Hz	✓	✓	-
1280×1024@60/75 Hz	✓	✓	-
1360×768@60 Hz	✓	✓	-
1400×1050@60 Hz (SXGA+)	✓	✓	-
1440×900@60 Hz (WXGA+)	✓	✓	-
1600×1200@60 Hz (UXGA)	✓	✓	-
1680×1050@60 Hz (RB) (WUXGA)	✓	✓	-
1920×1080@60 Hz	✓	✓	-
1920×1200@60 Hz (RB)	✓	✓	-
480i/576i	-	✓	-
480p/576p	-	✓	-
720p@50/60 Hz	-	✓	-
1080i@50/60 Hz	-	✓	-
1080p@24/30/50/60 Hz	-	✓	-



4. OUTPUT RESOLUTION SUPPORT

OUTPUT RESOLUTION	DVI/HDMI
Native	✓
640×480@60 Hz	✓
800×600@60 Hz	✓
1024×768@60 Hz	✓
1360×768@60 Hz	✓
1280×720@60 Hz	✓
1280×800@60 Hz	✓
1280×1024@60 Hz	✓
1440×900@60 Hz	✓
1400×1050@60 Hz	✓
1680×1050@60 Hz	✓
1600×1200@60 Hz	✓
1920×1080@60 Hz	✓
1920×1200@60 Hz	✓
480p	✓
576p	✓
720p@50/60 Hz	✓
1080i@50/60 Hz	✓
1080p@50/60 Hz	✓





Control Your Video

TECHNICAL SUPPORT

CONTACT US



Phone: 1 (866) 508 0269



Email: support@avenview.com



USA Head Office Avenview Corp. 275 Woodward Avenue Kenmore, NY 14217

USA Head Office

Office Avenview
Corp. 275 Woodward Avenue
Kenmore, NY 14217
Phone: +1.716.218.4100 ext223
Fax: +1.866.387-8764
Email: info@avenview.com

Canada Sales

Avenview
151 Esna Park Drive, Unit 11 & 12
Markham, Ontario, L3R 3B1
Phone: 1.905.907.0525
Fax: 1.866.387.8764
Email: info@avenview.com

Avenview Europe

Avenview Europe
Demkaweg 11
3555 HW Utrecht
Netherlands
Phone: +31 (0)85 2100- 613
Email: info@avenview.eu

Avenview Hong Kong

Unit 8, 6/F, Kwai Cheong Centre,
50 Kwai Cheong Road,
Kwai Chung, N.T.
Hong Kong
Phone: 852-3575 9585
Email: wenxi@avenview.com

Disclaimer

While every precaution has been taken in the preparation of this document, Avenview Inc. assumes no liability with respect to the operation or use of Avenview hardware, software or other products and documentation described herein, for any act or omission of Avenview concerning such products or this documentation, for any interruption of service, loss or interruption of business, loss of anticipatory profits, or for punitive, incidental or consequential damages in connection with the furnishing, performance, or use of the Avenview hardware, software, or other products and documentation provided herein.

Avenview Inc. reserves the right to make changes without further notice to a product or system described herein to improve reliability, function or design. With respect to Avenview products which this document relates, Avenview disclaims all express or implied warranties regarding such products, including but not limited to, the implied warranties of merchantability, fitness for a particular purpose, and non-infringement.