



HDM-XTRM-IPS

H.264 IP CAPTURE TO HDMI ENCODER
W/TELNET/AUDIO SUPPORT



IP CAPTURE TO HDMI

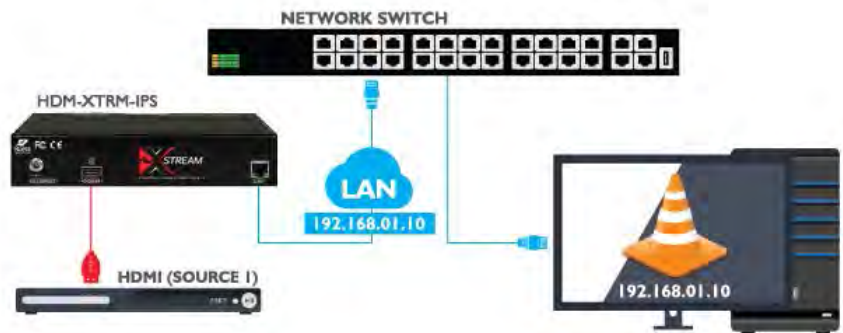
KEY FEATURES

- H.264 video encoder;
- Supports PoE;
- Encode audio with LPCM/AAC standard;
- Input Resolutions: From 640x480@60Hz to 1080p@24/25/30/50/60Hz;
- Transmits TS data with unicast or multicast method;
- Supports RTSP protocol;
- Output Resolution: From 640x480@60Hz to 1080p@24/25/30/50/60Hz;
- Supports audio format including LPCM or AAC standard;
- Displays can be controlled using RS-232 or CEC;
- Telnet CLI and Web UI supported;
- Supports static IP, DHCP and AutoIP;
- Encoded Video Bitrate: 2M~30Mbps;
- Encoded AAC Audio Bitrate: 32~240Kbps;
- LPCM Audio Bitrate: 1.6Mbps;
- Supports up to 4 RTSP clients simultaneously;
- Supports video timing up to 1920x1080@60Hz and 1920x1200@60Hz;
- Low Latency Mode: 120ms end-to-end latency.

HDM-XTRM-IPS

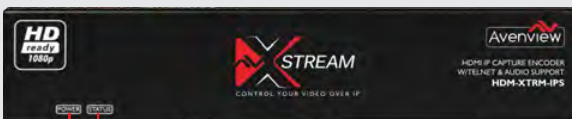
Application Diagram 2

■ Input/Output ■ CAT 5e / CAT 6



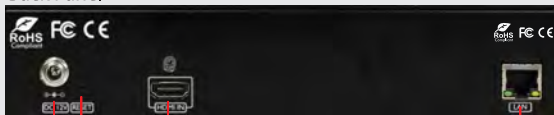
PANEL DESCRIPTION

Front Panel



1 2

Back Panel



3 4 5 6

- | | |
|-----------------------|------------------------|
| 1 Power LED Indicator | 2 Source LED Indicator |
| 3 Power Jack | 4 Reset Button |
| 5 HDMI IN | 6 LAN OUT |

ITEM	SPECIFICATION
Video Encoding	H.264/MPEG-4 AVC
Input	1 x HDMI Type A (19 pin female)
Output	1 x RJ45 (WE/SS 8P8C with 2 LED Indicators)
IN/OUT Resolution	640x480@60, 800x600@60, 1024x768@60, 1280x768@60, 1280x800@60, 1280x1024@60, 1360x768@60, 1366x768@60, 1440x900@60, 1400x1050@60, 1600x1200@60, 1680x1050@60, 1920x1200@60, 480p@60, 576p@50, 720p@30/50/60, 1080p@24/25/30/50/60Hz
EDID Setting	Up to 1920x1200@60Hz (Default 1080p@60Hz)
Power over Ethernet	Yes
Output Video Bitrate	Up to 30Mbps
Input Audio Support	RAW PCM data (48KHz)
Output Audio Support	LPCM (1.6Mbps) & ACC (up to 240kbps)
LED	Front Panel Indicators
ESD Protection	Human body model: ±19kV (air-gap discharge) & ±12kV (contact discharge) Core Chipset - ±2kV
Dimensions (L x W x H)	220 mm x 178.5 mm x 43.5 mm
Weight	1.3lbs
Power Supply	12V DC converter (with lock) with US pin
Power Consumption	TBD



Control Your Video

VIDEO WALL VIDEO PROCESSORS
MULTIVIEWERS DIGITAL SIGNAGE
EXTENDERS CONTROL CENTERS
SCALERS WIRELESS



Toll Free 1.866.508.0269 | sales@avenview.com